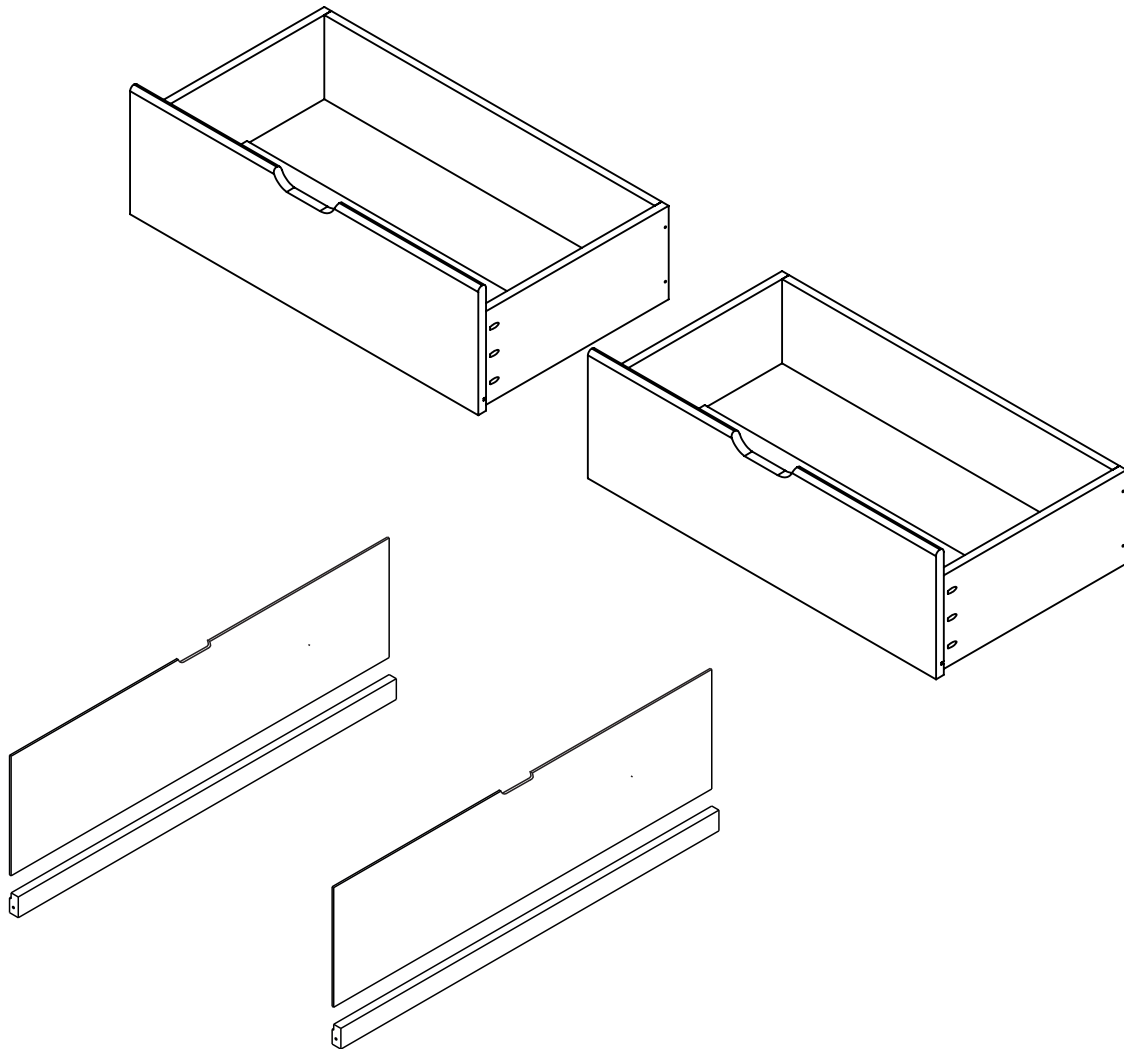


DRAWERS + MODESTY PANEL - TWIN

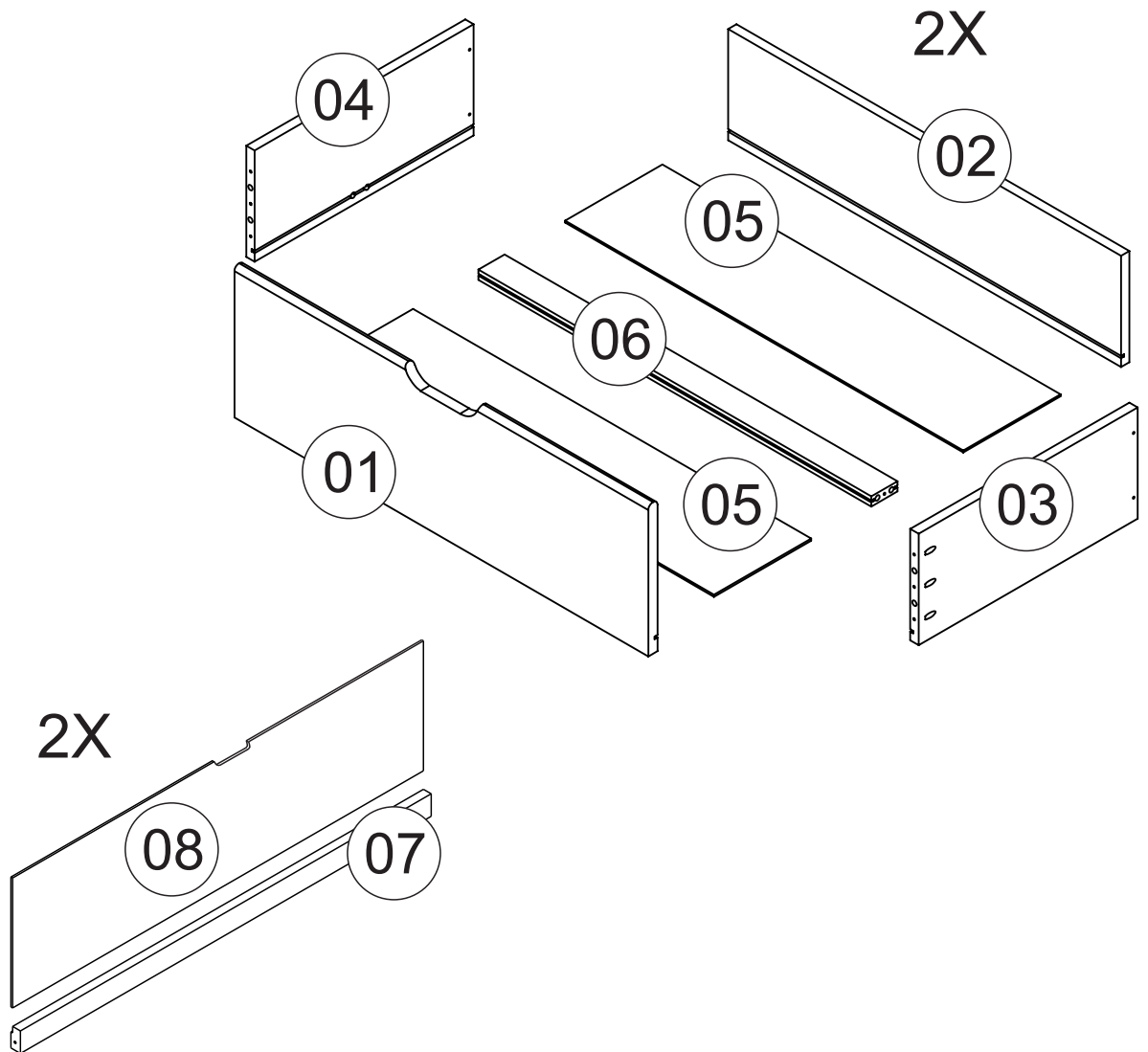


ATTENTION

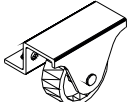
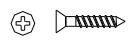


- 1 - Read and observe carefully all the assembly instructions before beginning assembly.
- 2 - The assembly of the product must be done on a clean and flat surface. We suggest to use the packaging to cover the floor to avoid damages.
- 3 - The screw must be tightened periodically.
- 4 - Avoid contact with sharp objects.
- 5 - Avoid banging pieces together.



“Please! Confirm all parts and hardware are included to assemble!”

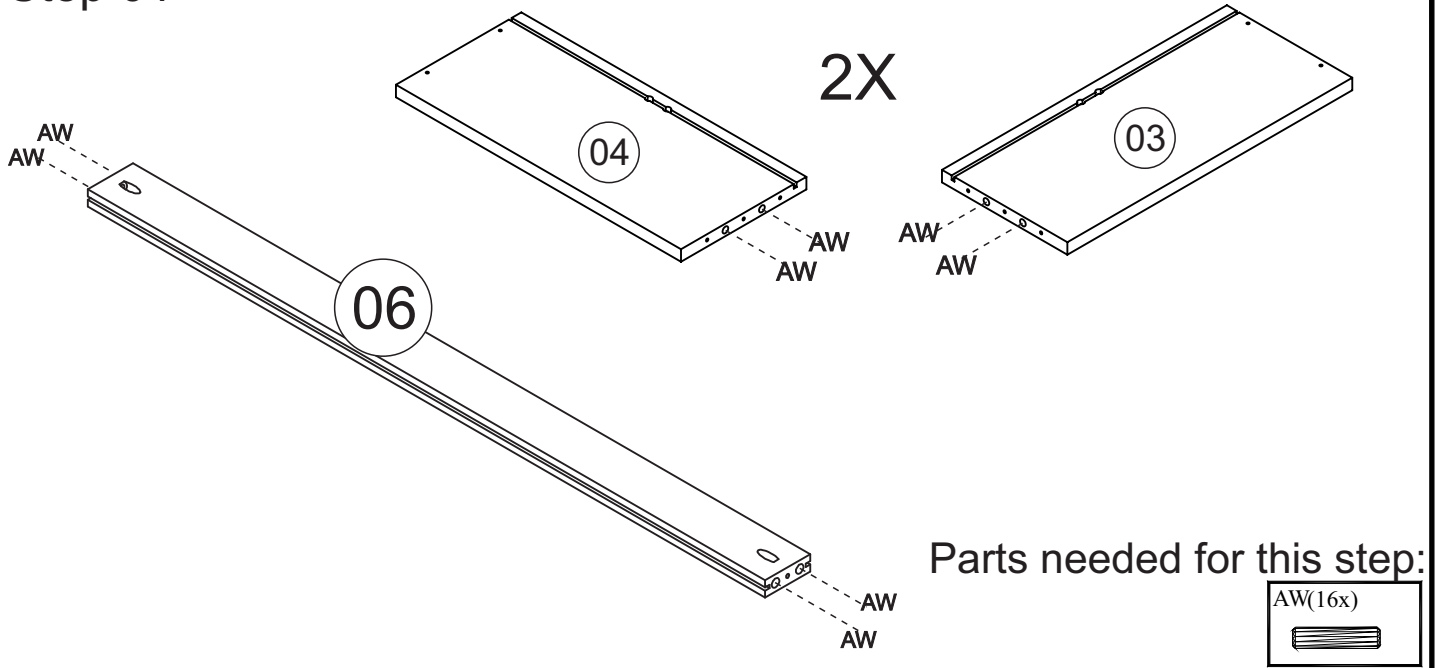


Hardware - Carton SKU# E3031,2,3

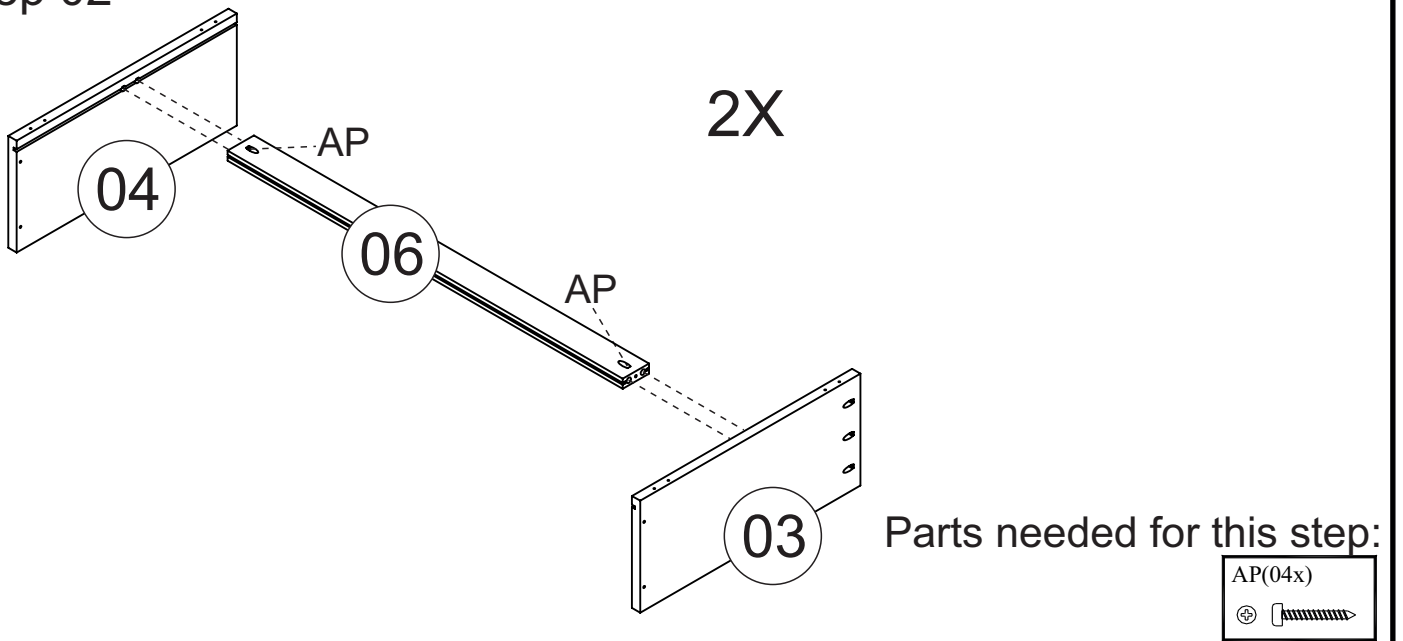
T	 1 5/16"	08x
Z	 Ø1/8" x 5/8"	44x
AP	 Ø1/8" x 1 3/8"	28x
AW	 Ø3/8" x 1 3/8"	16x

ASSEMBLY INSTRUCTIONS

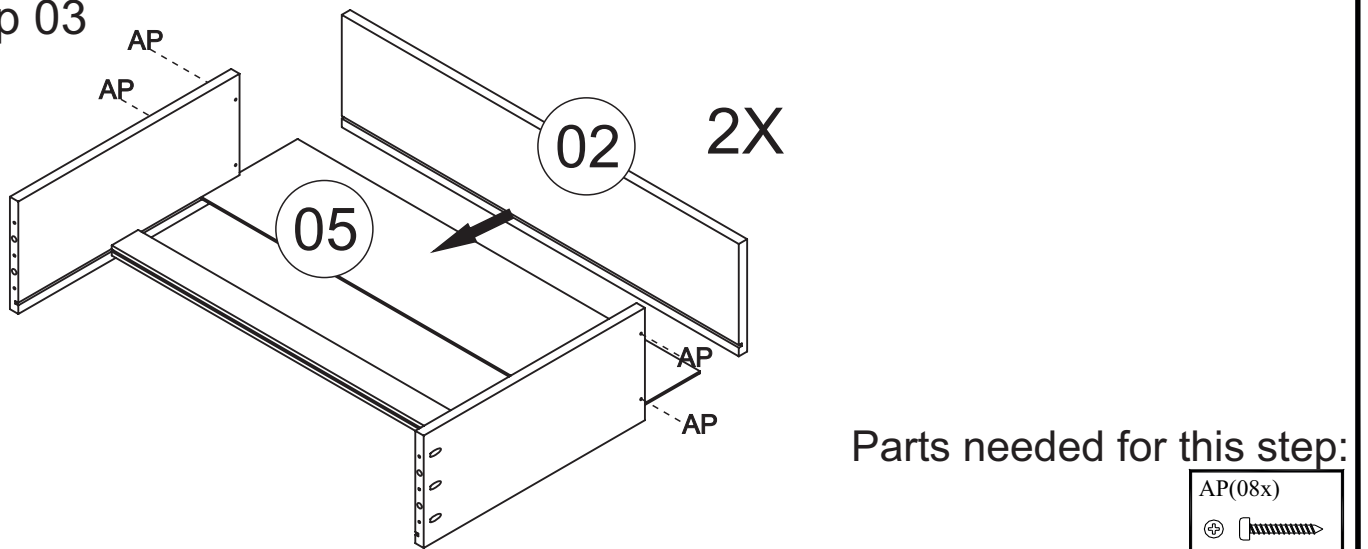
Step 01



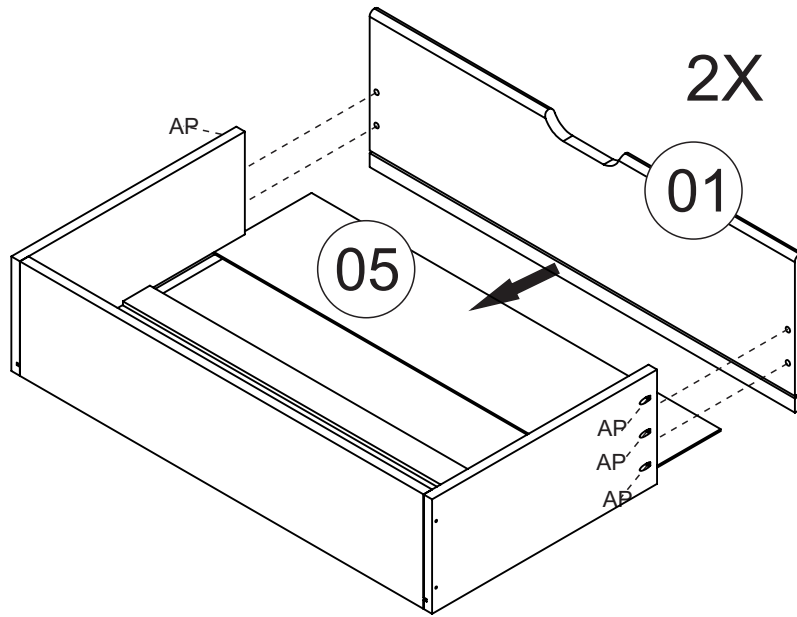
Step 02



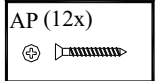
Step 03



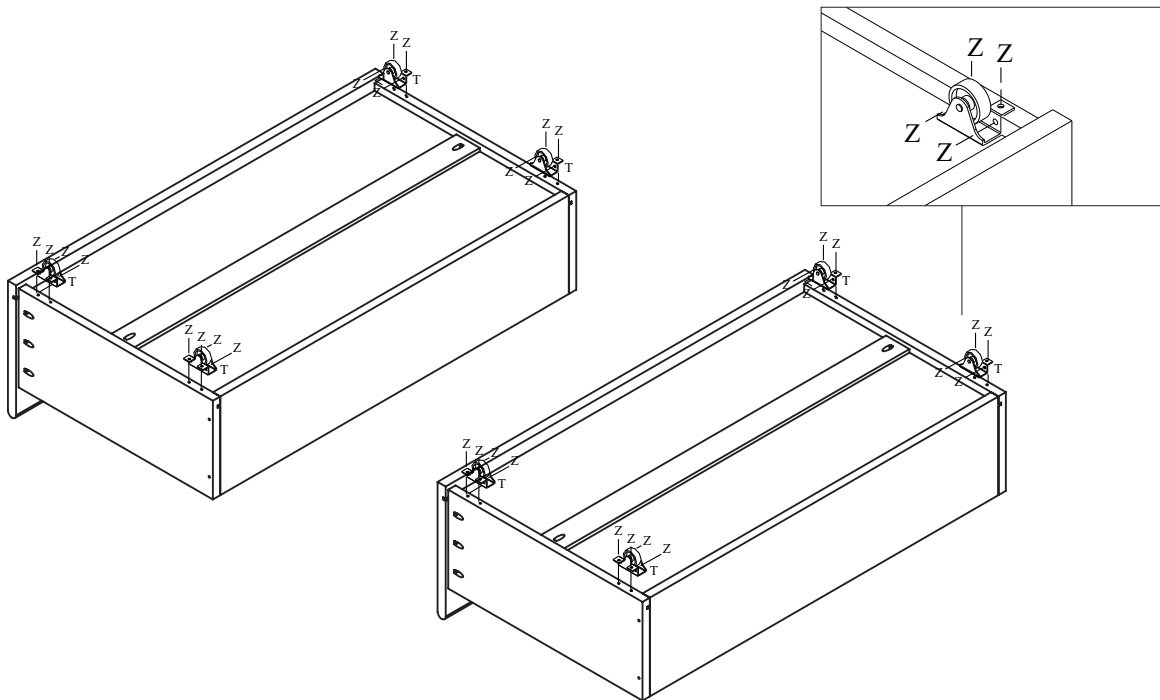
Step 04



Parts needed for this step:



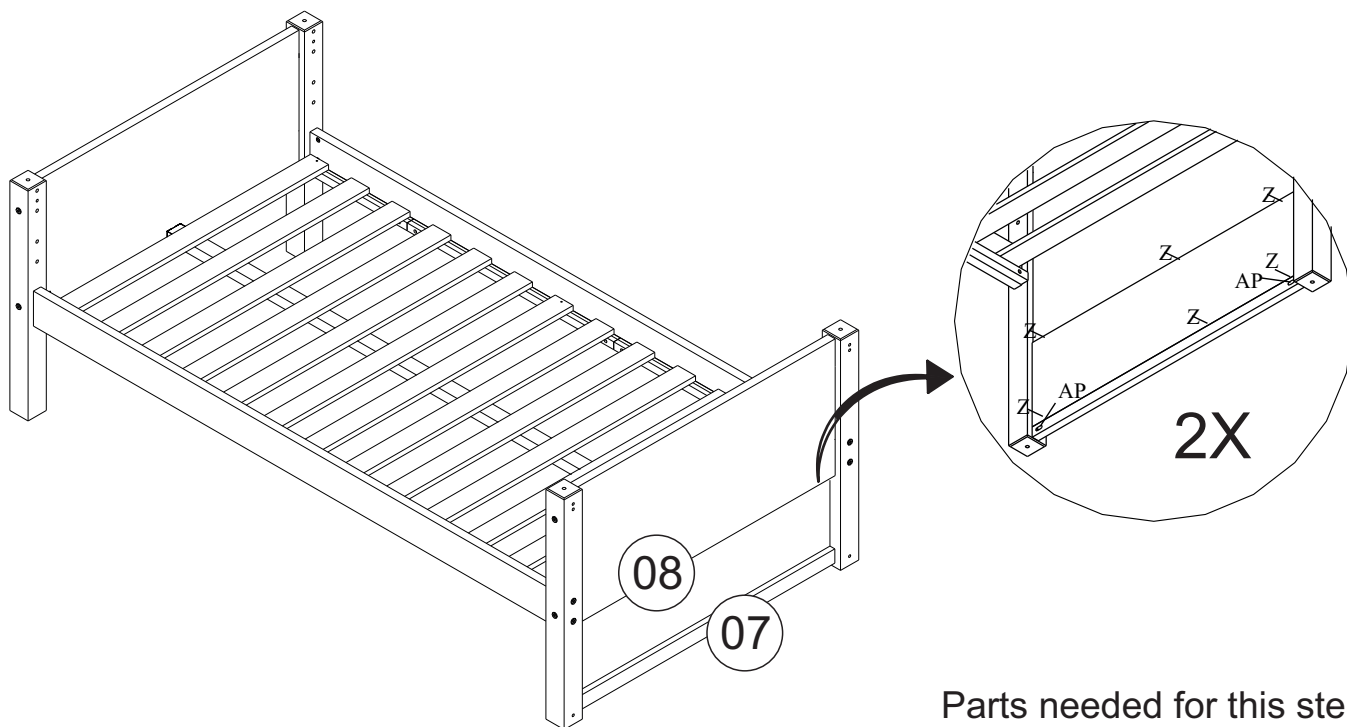
Step 05



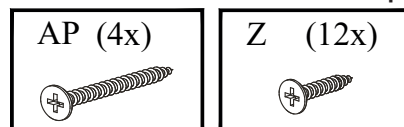
Parts needed for this step:



Step 06



Parts needed for this step:



Step 07

