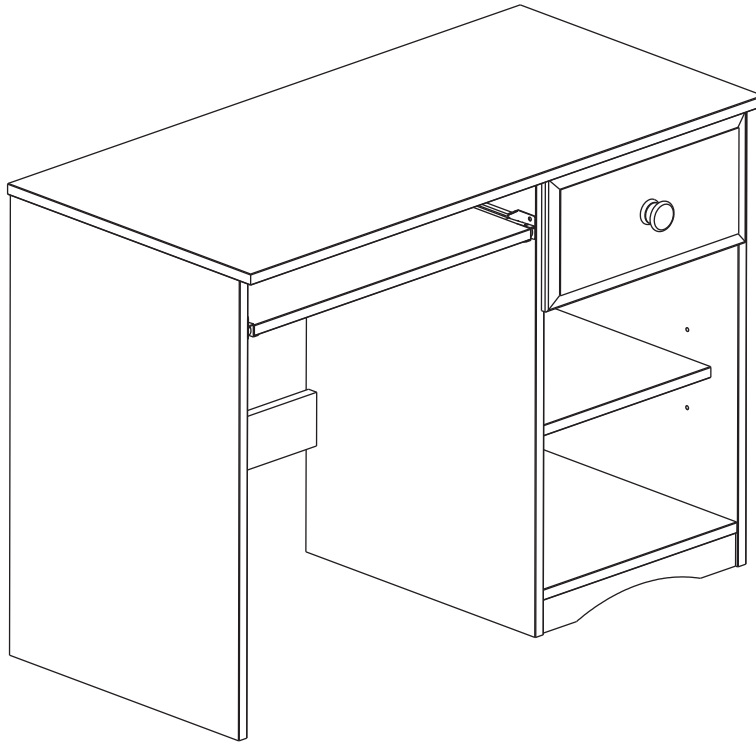
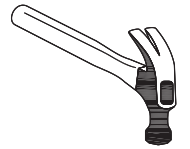
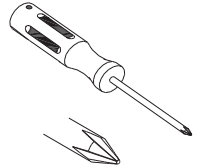
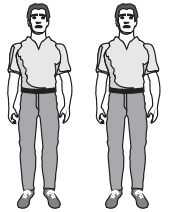


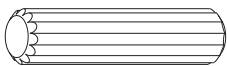
ASSEMBLY INSTRUCTIONS



00:45 Hs



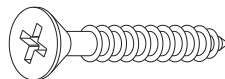
HARDWARE INCLUDED



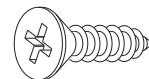
A - 8,0x25 Wood Dowel
Qty. 27



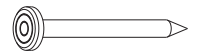
B - 4,0x30 Screw
Qty. 26



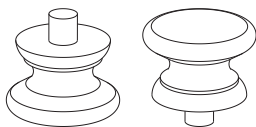
C - 3,5x30 Screw
Qty. 04



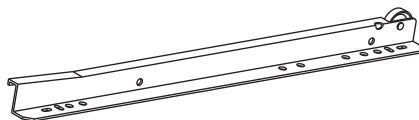
D - 3,5x14 Screw
Qty. 16



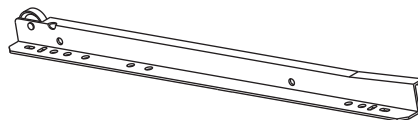
E - 10x10 Nail
Qty. 18



F - Door Knob
Qty. 01



G - Slide Left 350mm
Qty. 02

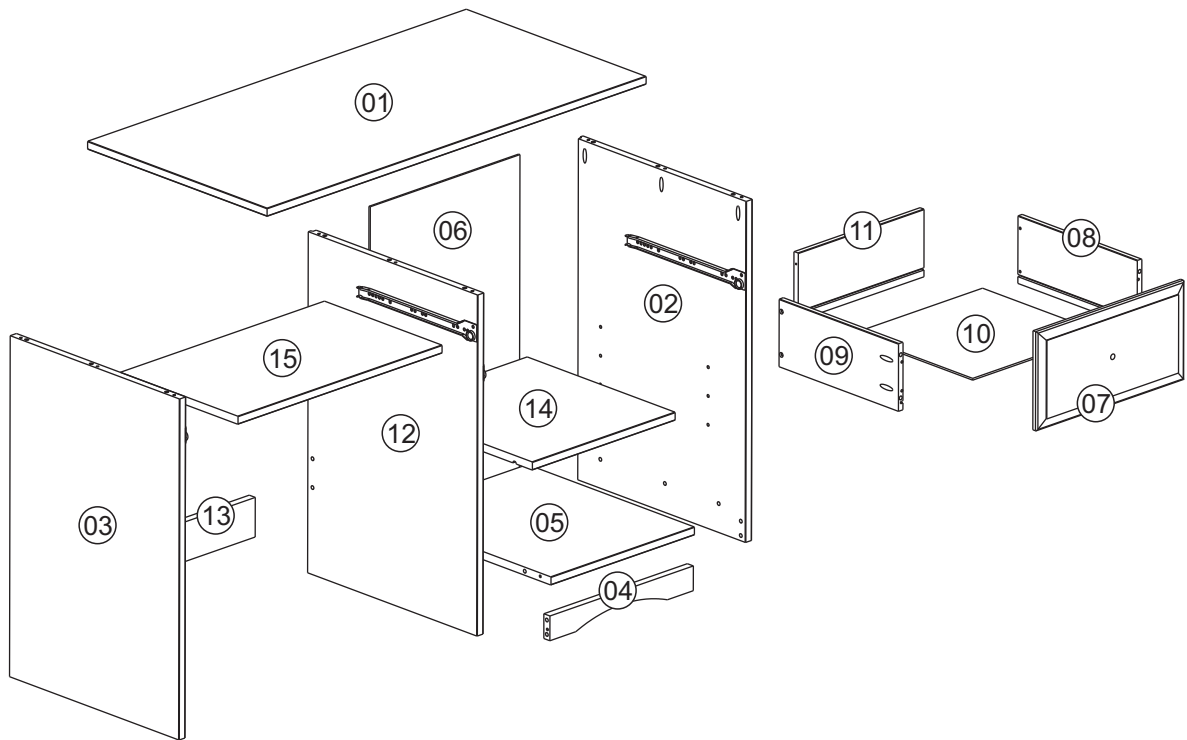


H - Slide Right 350mm
Qty. 02

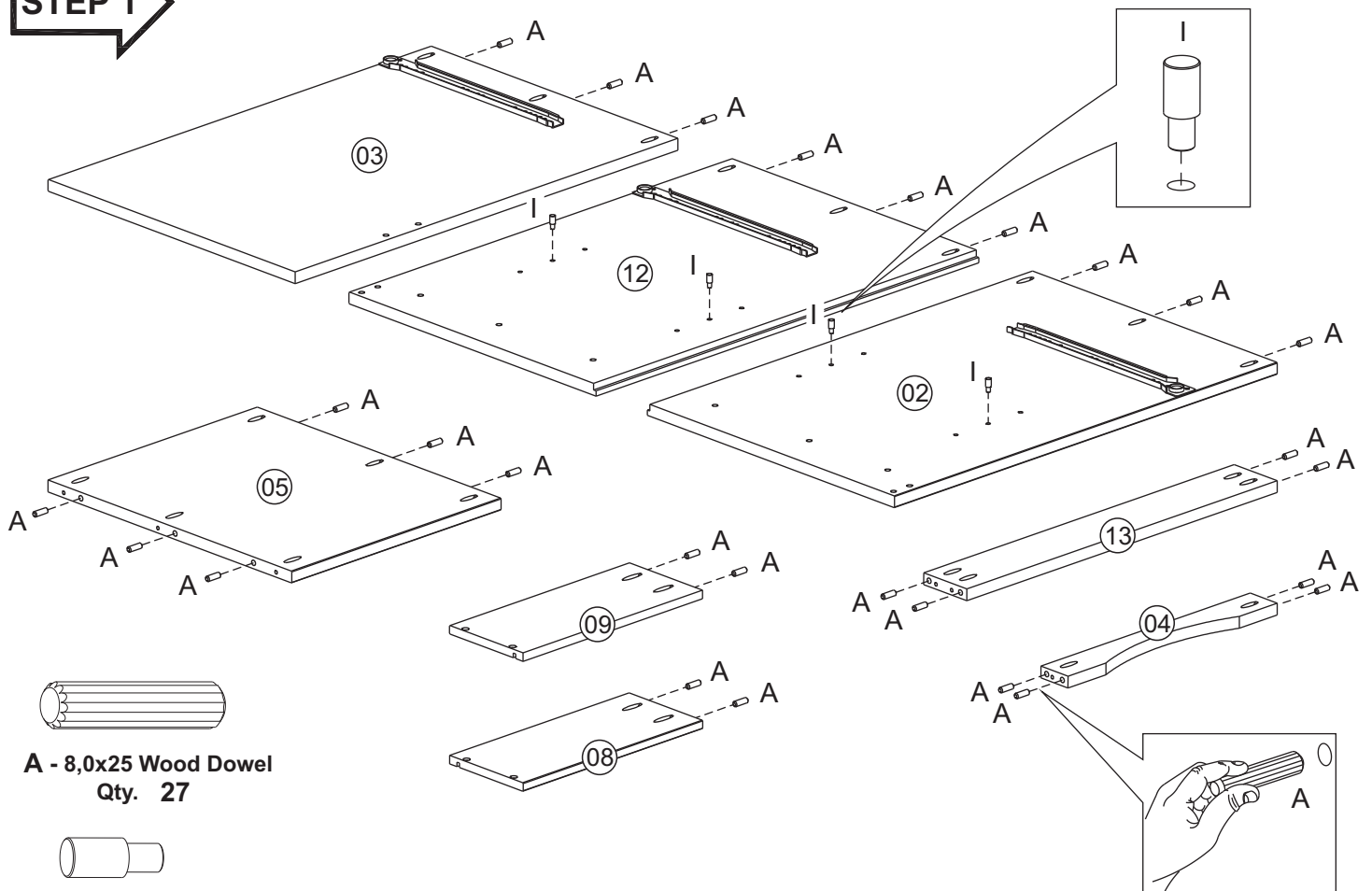


I - Shelf support
Qty. 04

PARTS INCLUDED



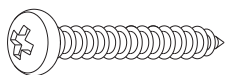
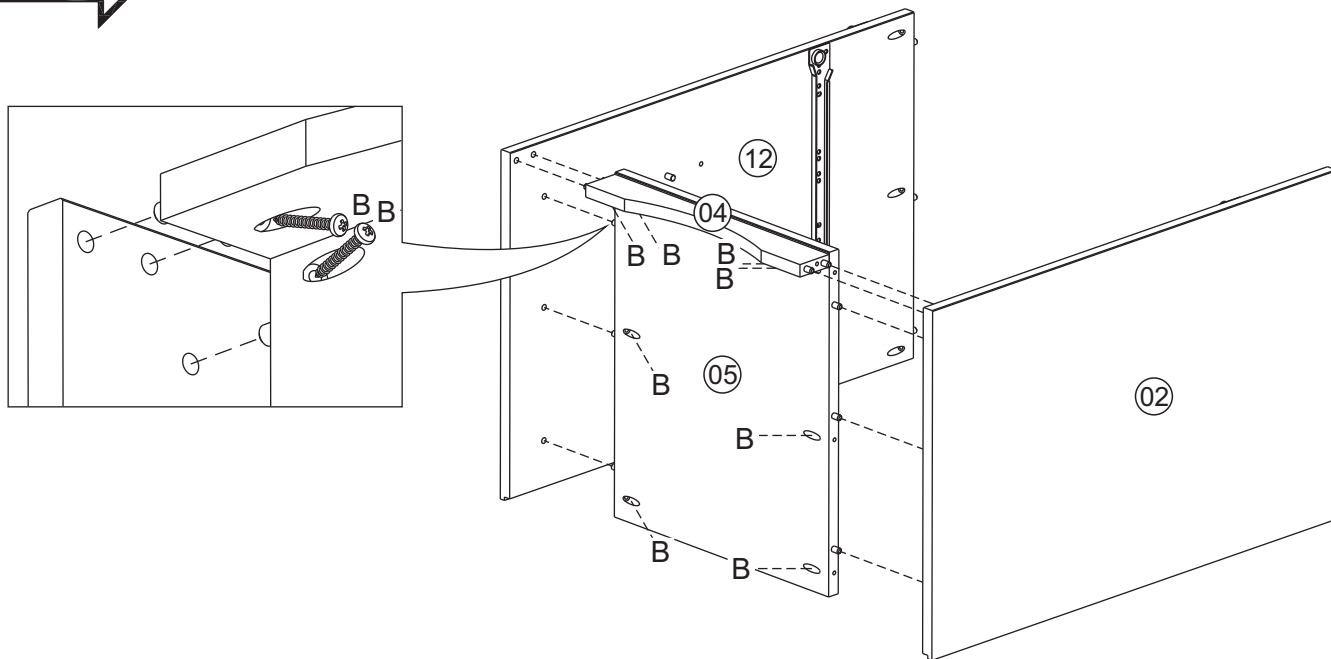
STEP 1



A - 8,0x25 Wood Dowel
Qty. 27

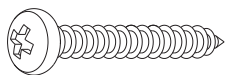
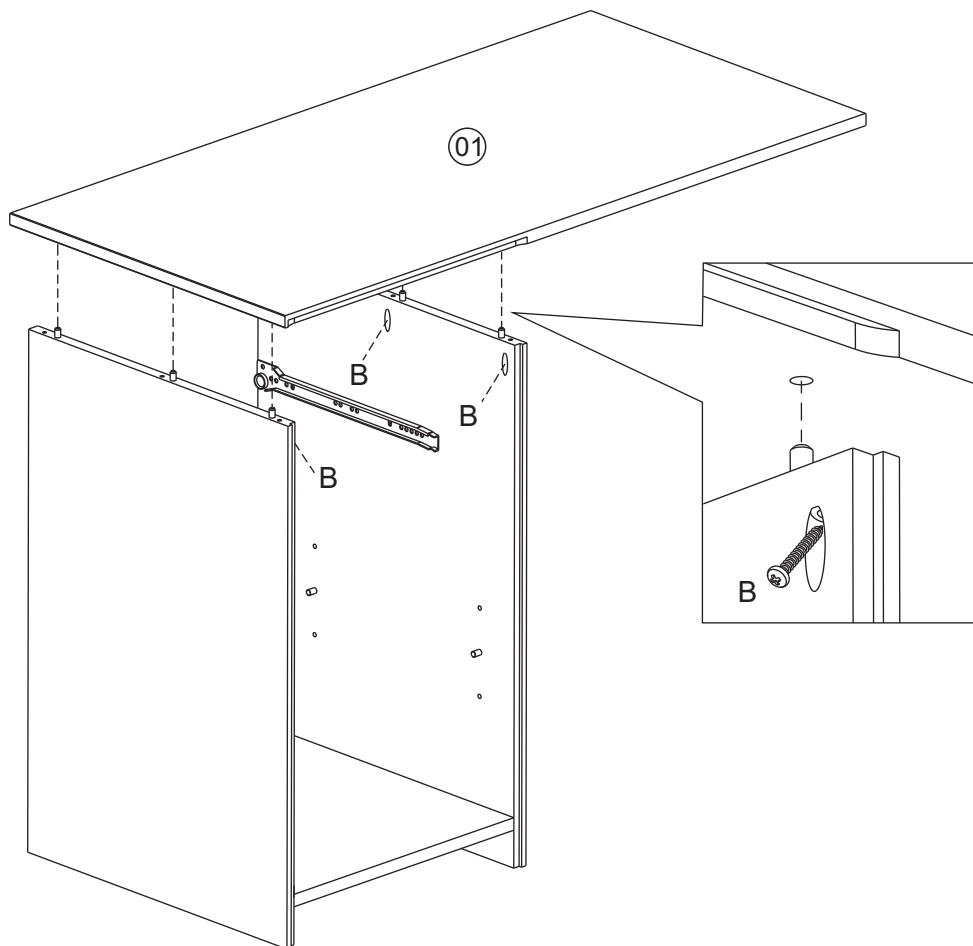
I - Shelf support
Qty. 04

STEP 2



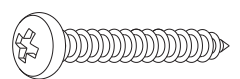
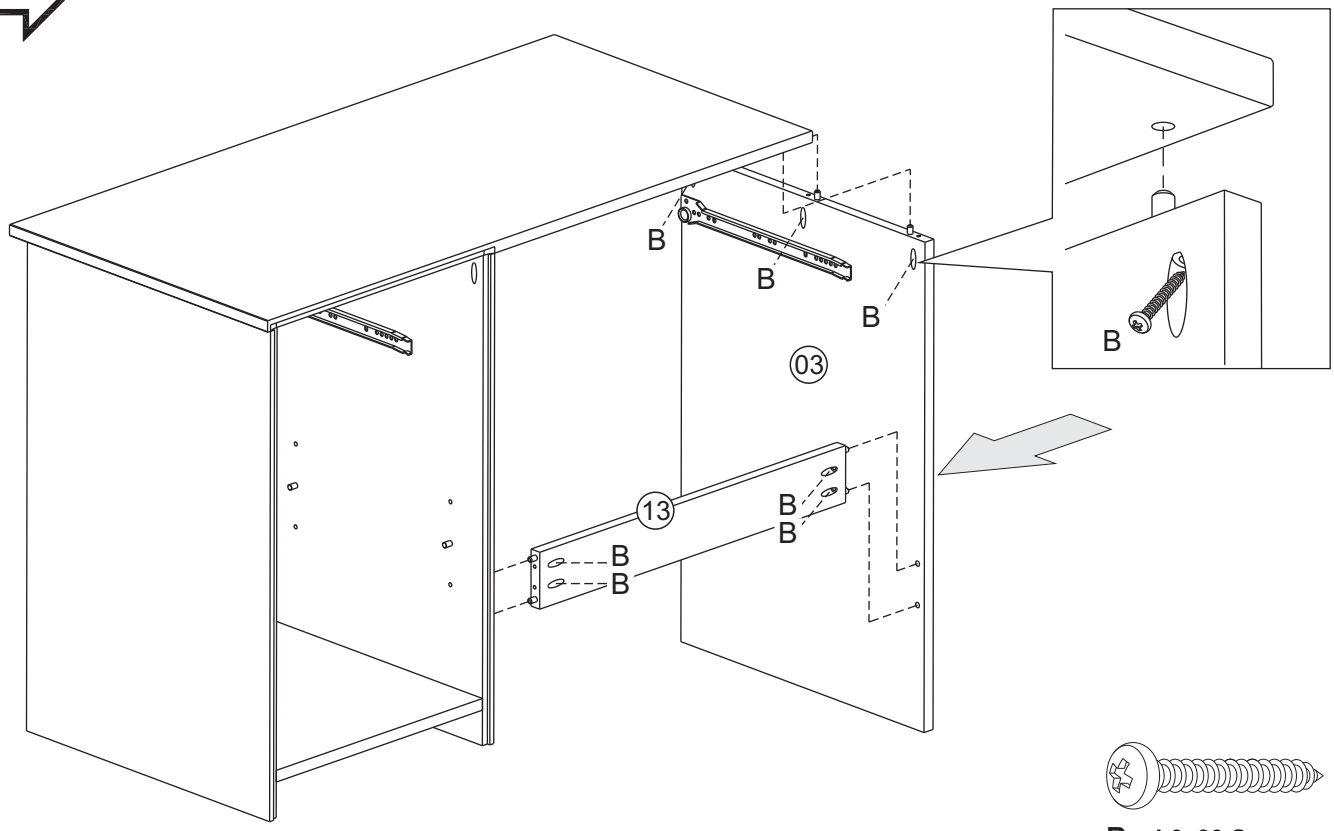
B - 4,0x30 Screw
Qty. 08

STEP 3



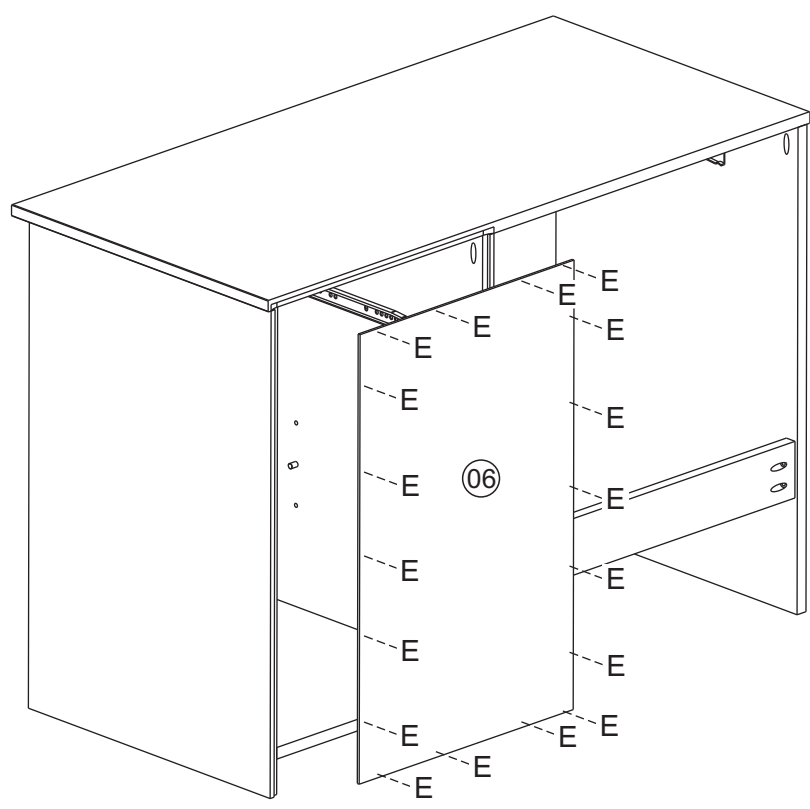
B - 4,0x30 Screw
Qty. 06

STEP 4



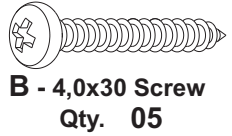
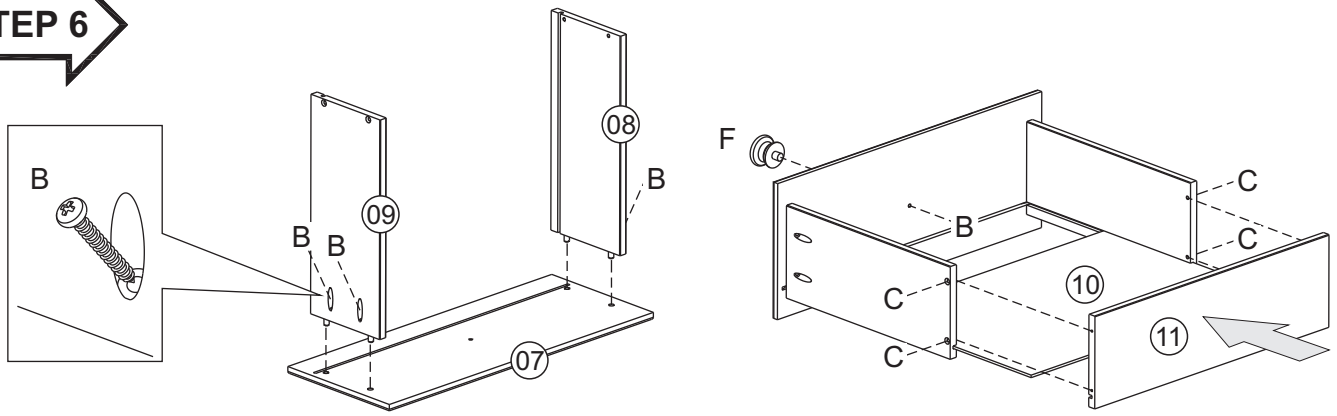
B - 4,0x30 Screw
Qty. 07

STEP 5

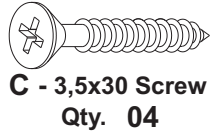


E - 10x10 Nail
Qty. 18

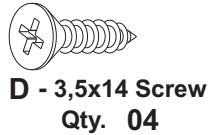
STEP 6



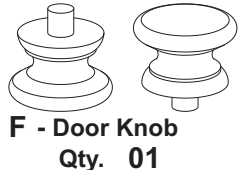
B - 4,0x30 Screw
Qty. 05



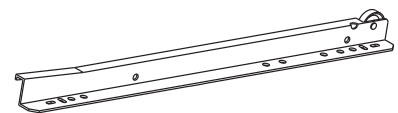
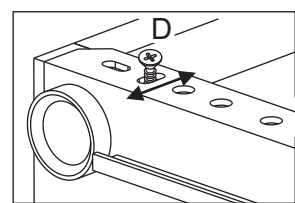
C - 3,5x30 Screw
Qty. 04



D - 3,5x14 Screw
Qty. 04



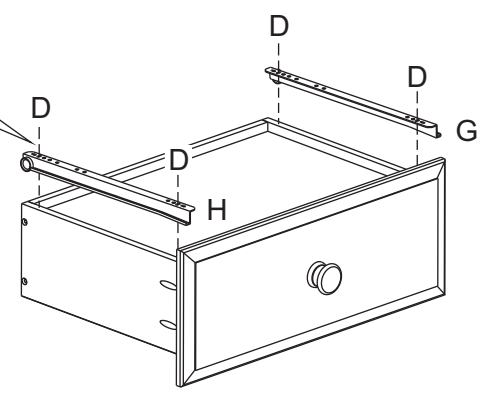
F - Door Knob
Qty. 01



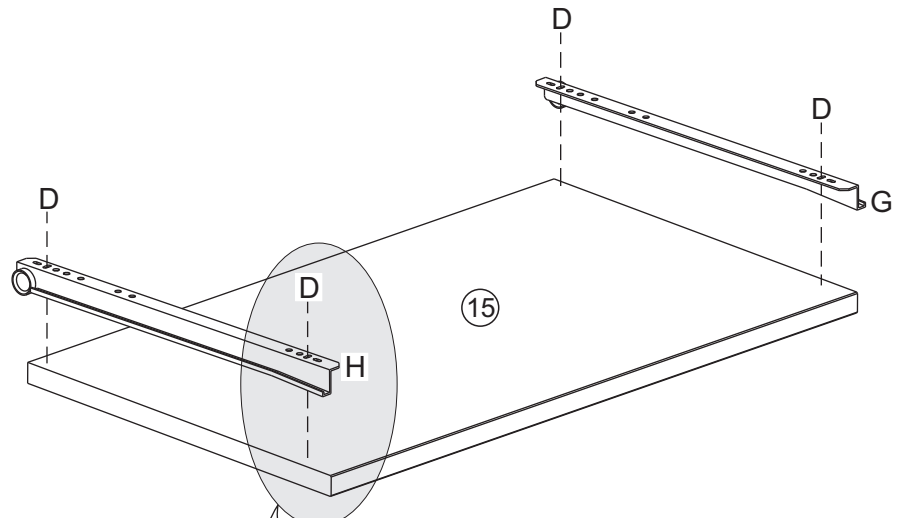
G - Slide Left 350mm
Qty. 01



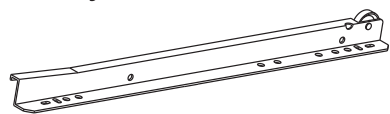
H - Slide Right 350mm
Qty. 01



STEP 7



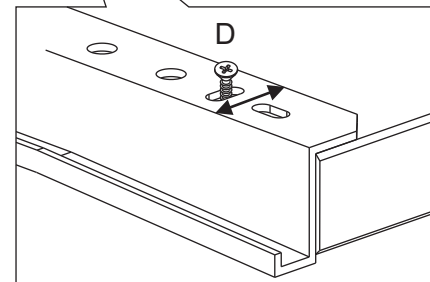
D - 3,5x14 Screw
Qty. 04



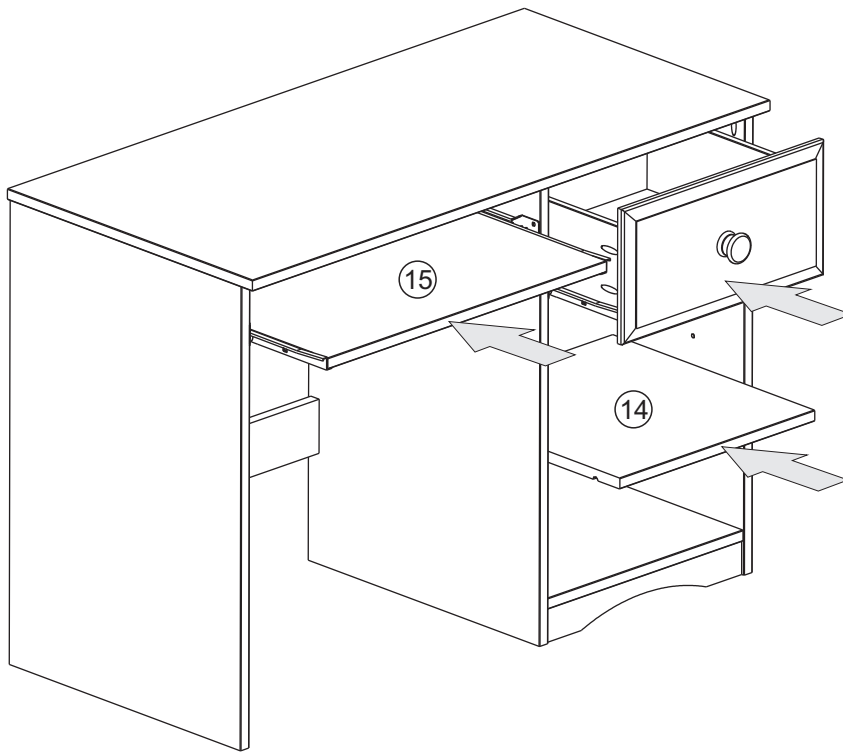
G - Slide Left 350mm
Qty. 01



H - Slide Right 350mm
Qty. 01



STEP 8

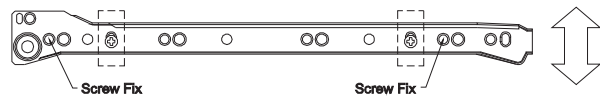


Drawer Glide Adjustments:

The metal drawer glides are designed to allow for slight adjustments vertically and horizontally, if necessary.

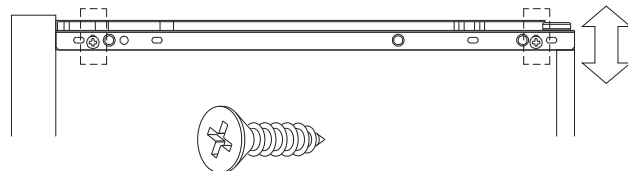
Horizontal Glide Adjustment:

Remove drawer from chest. Loosen screws indicated on side of metal track. Make needed space adjustment and re-tighten screws and add 2 additional screws in holes as indicated in diagram below:



Vertical Glide Adjustment:

Remove drawer from chest. Loosen Screws on underside of metal track. Make needed space adjustment and re-tighten screws as indicated in diagram below:



D - 3,5x14 Screw
Qty. 08