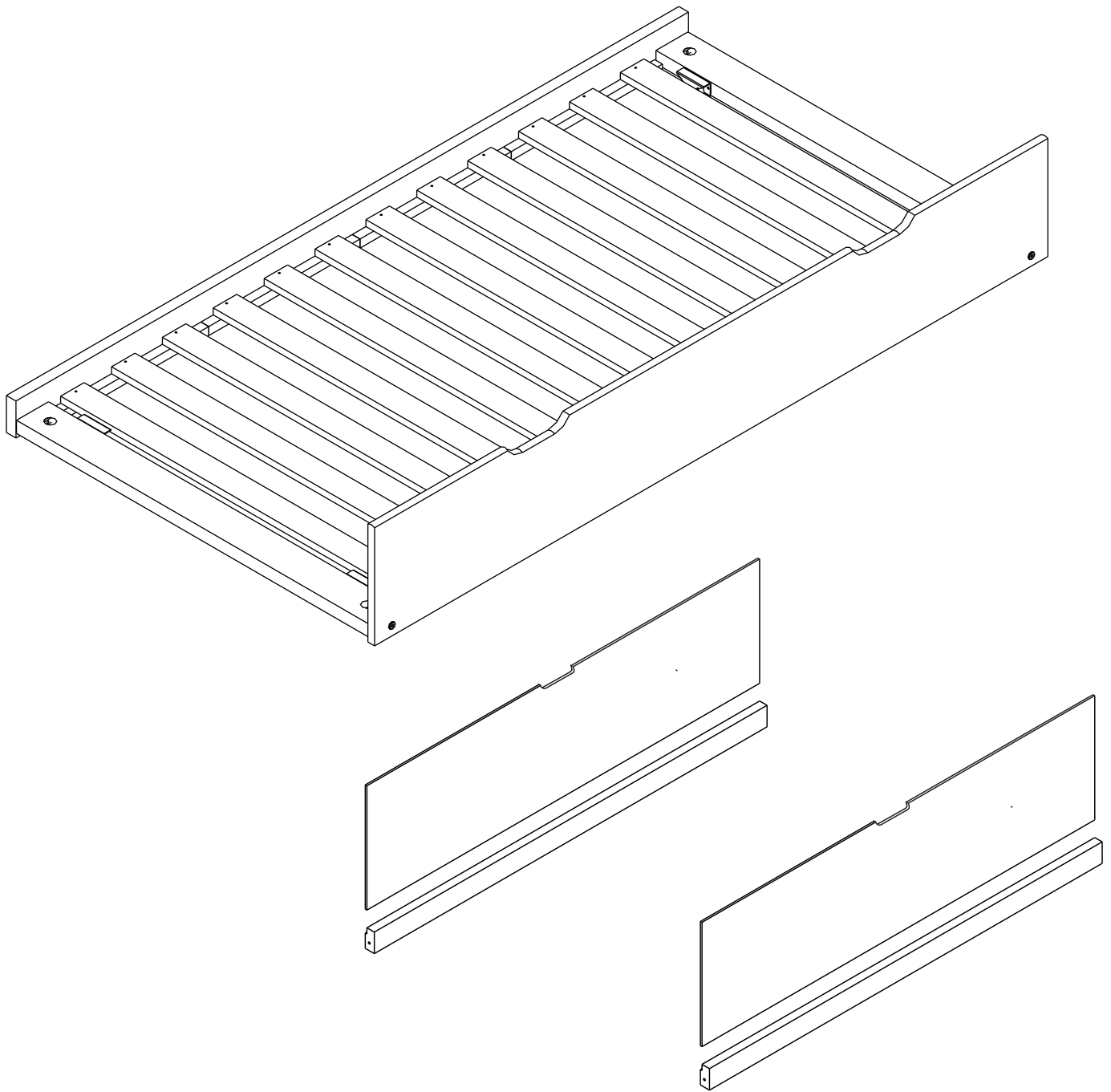


TRUNDLE + MODESTY PANEL - TWIN

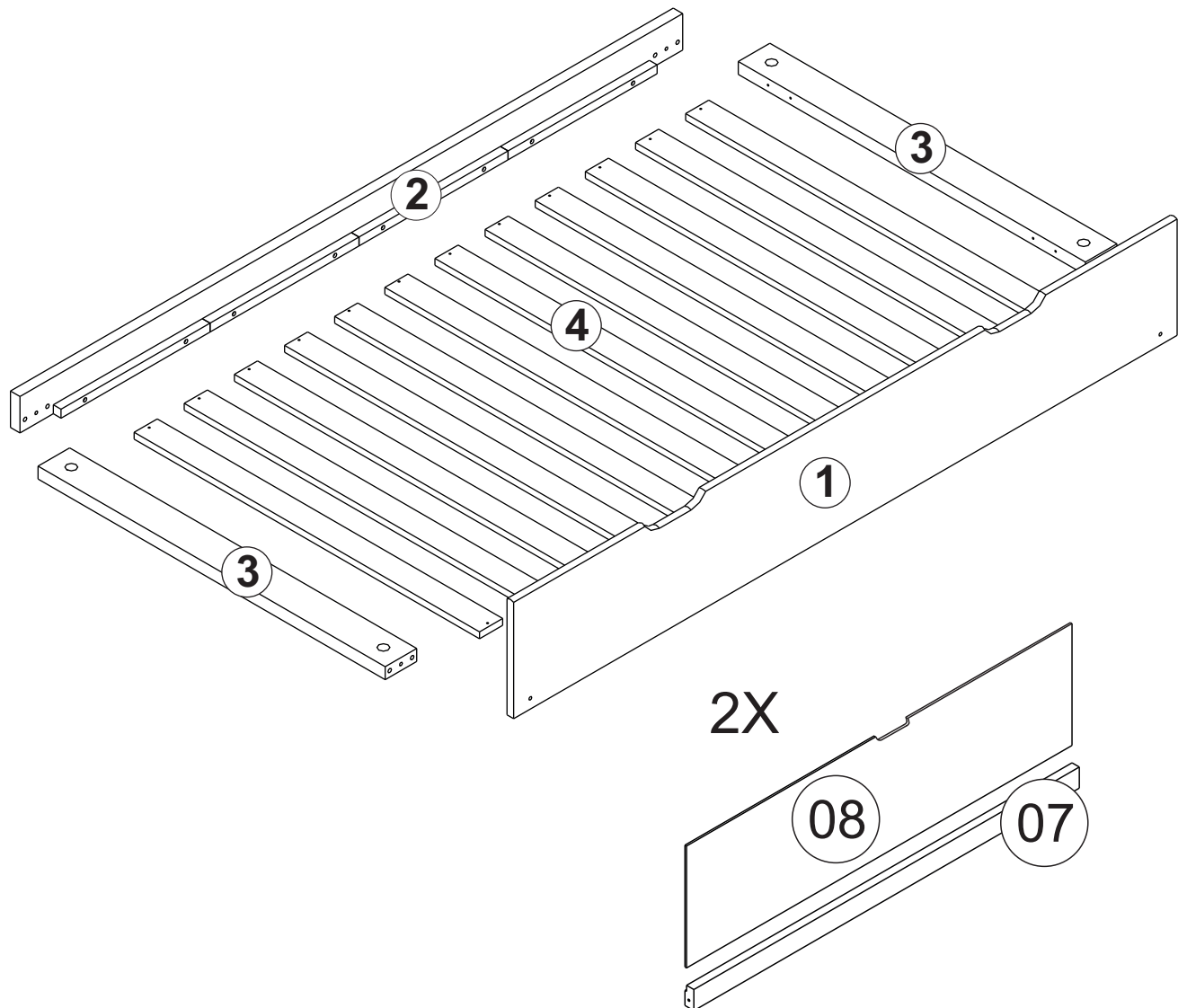


ATTENTION


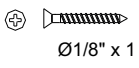
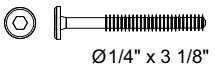
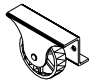
- 1 - Read and observe carefully all the assembly instructions before beginning assembly.
- 2 - The assembly of the product must be done on a clean and flat surface. We suggest to use the packaging to cover the floor to avoid damages.
- 3 - The screw must be tightened periodically.
- 4 - Avoid contact with sharp objects.
- 5 - Avoid banging pieces together.

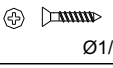
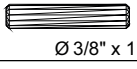

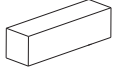


“Please! Confirm all parts and hardware are included to assemble!”



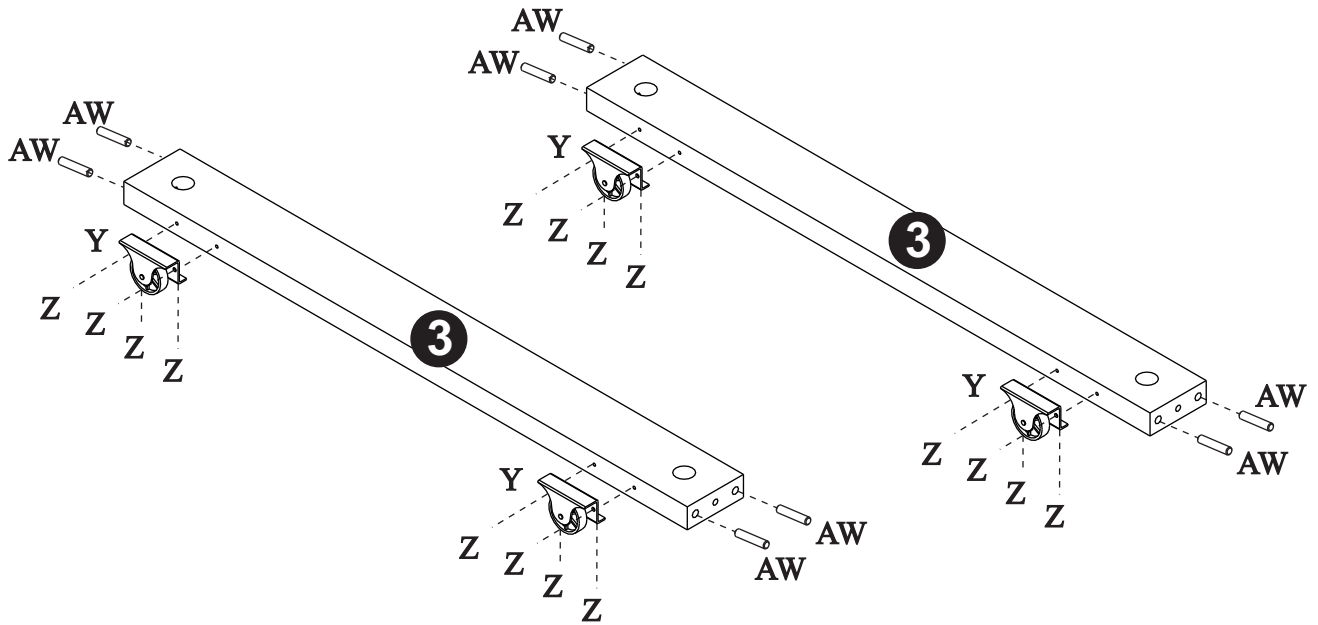
Hardware - Carton SKU# E3131/2/3

F		01x
I		28x
K		04x
Y		04x

Z		28x
AW		08x
BC		04x
BH		02x

ASSEMBLY INSTRUCTIONS

Step 01



Parts needed for this step:

AW(8x)



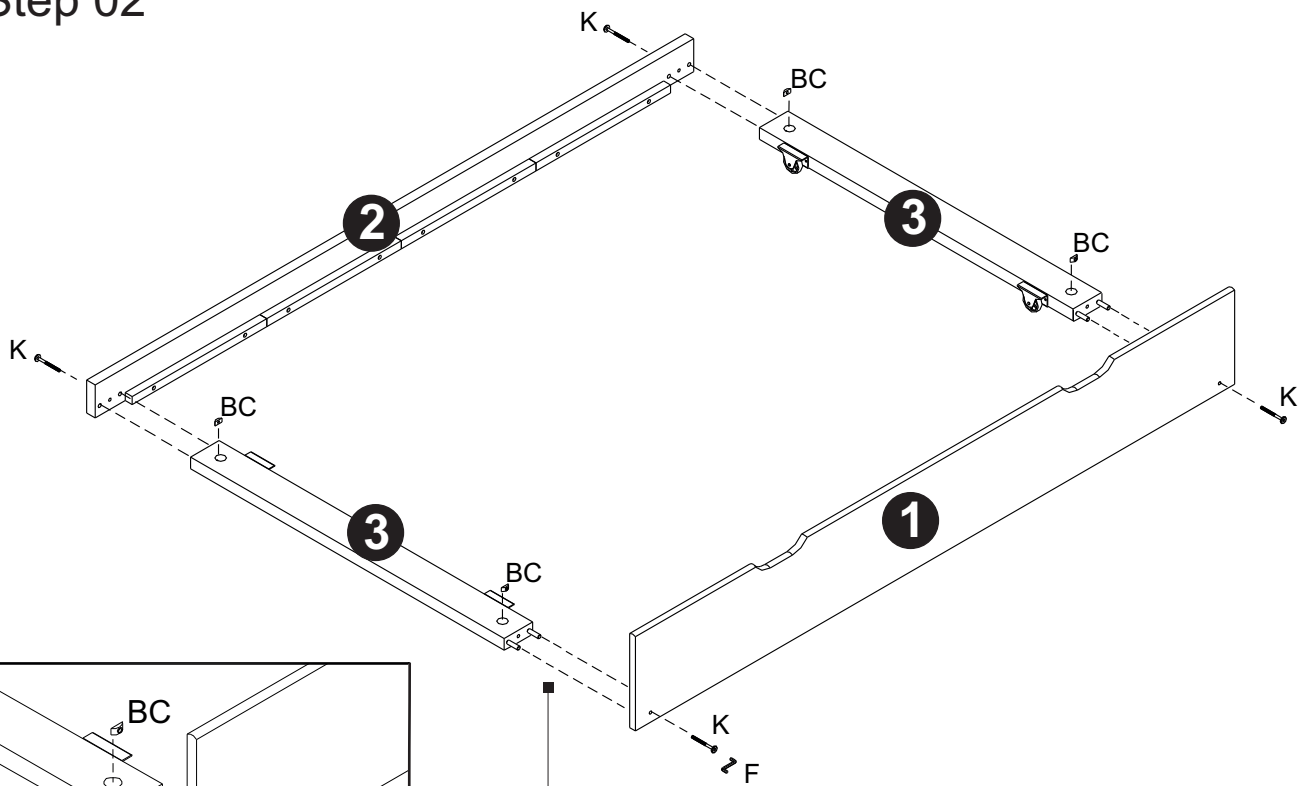
Z (16x)



Y (4x)

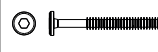


Step 02



Parts needed for this step:

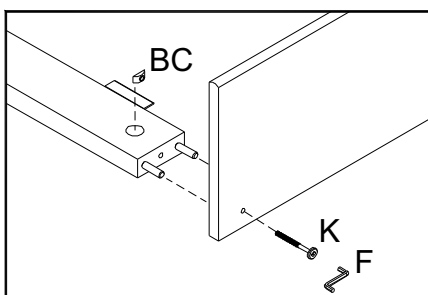
K (4x)



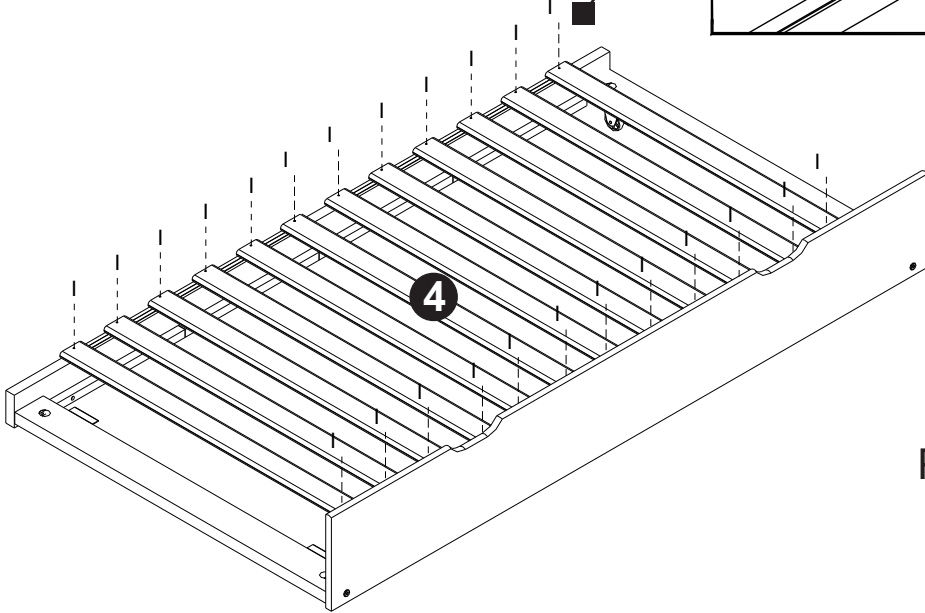
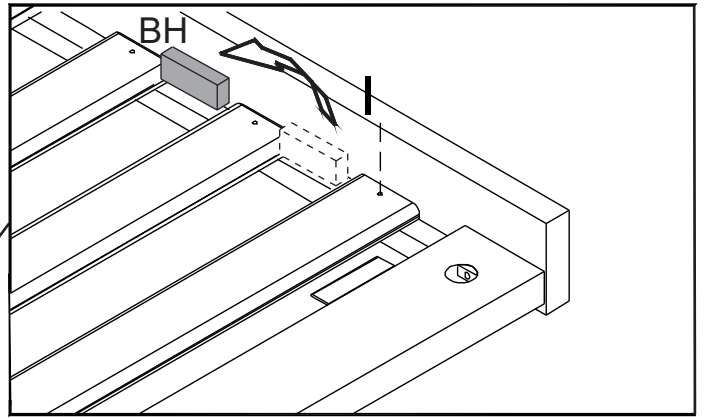
BC (4x)



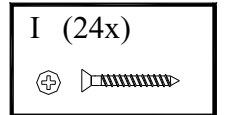
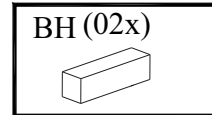
F (1x)



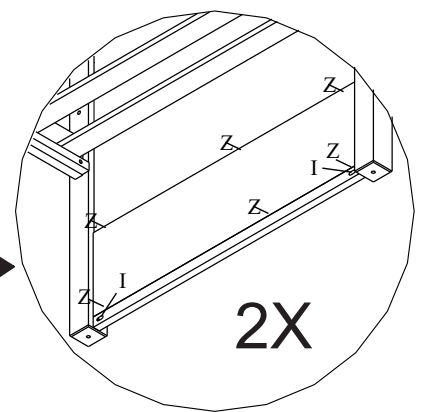
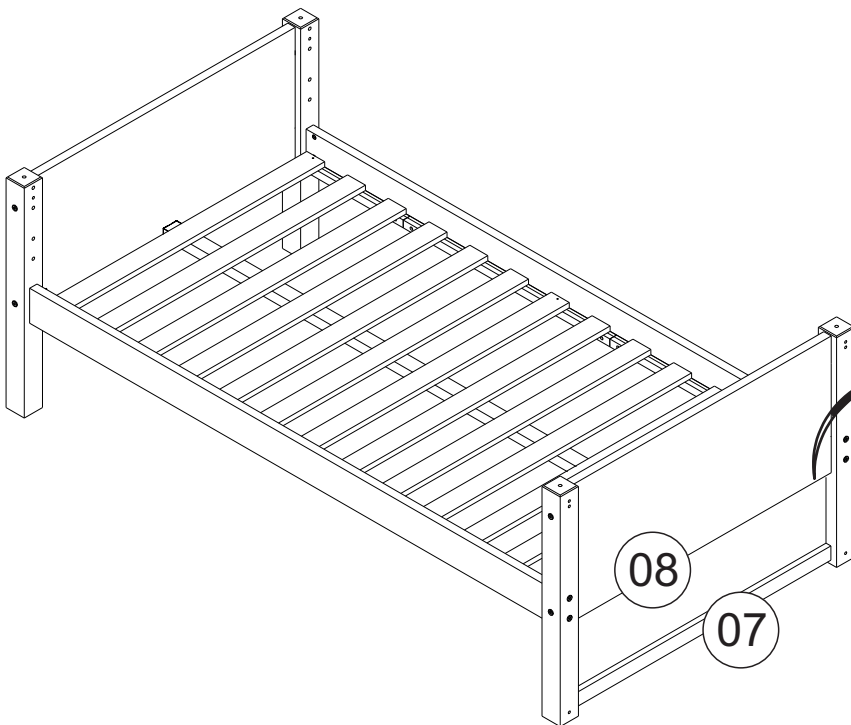
Step 03



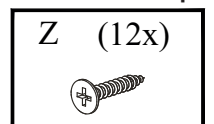
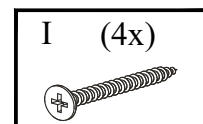
Parts needed for this step:



Step 04



Parts needed for this step:



Step 05

