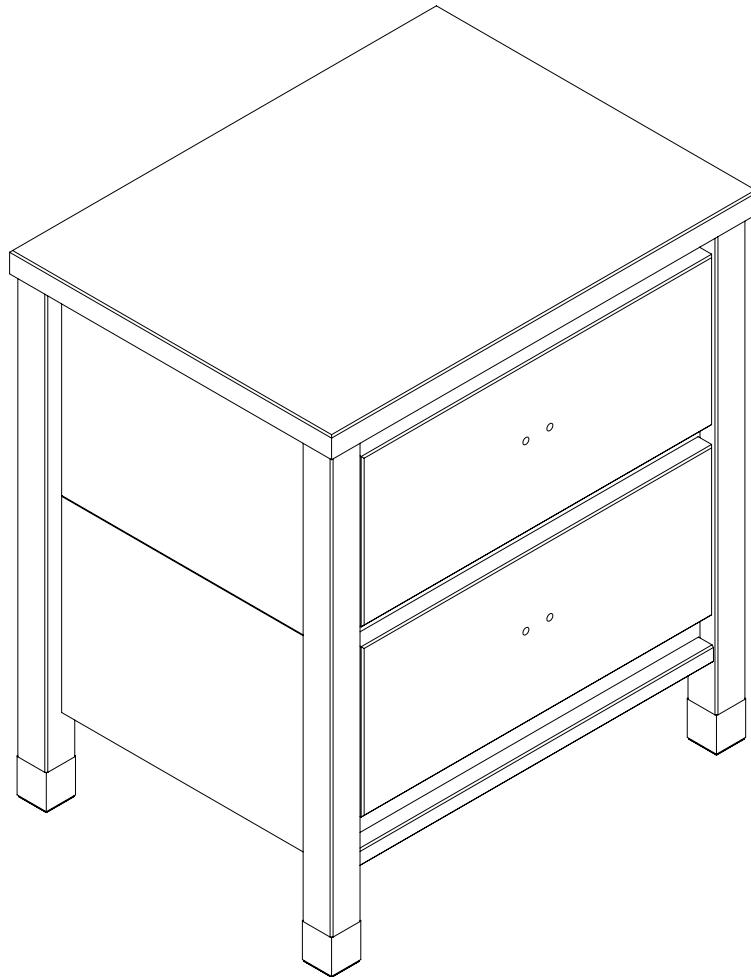


Baja NightStand

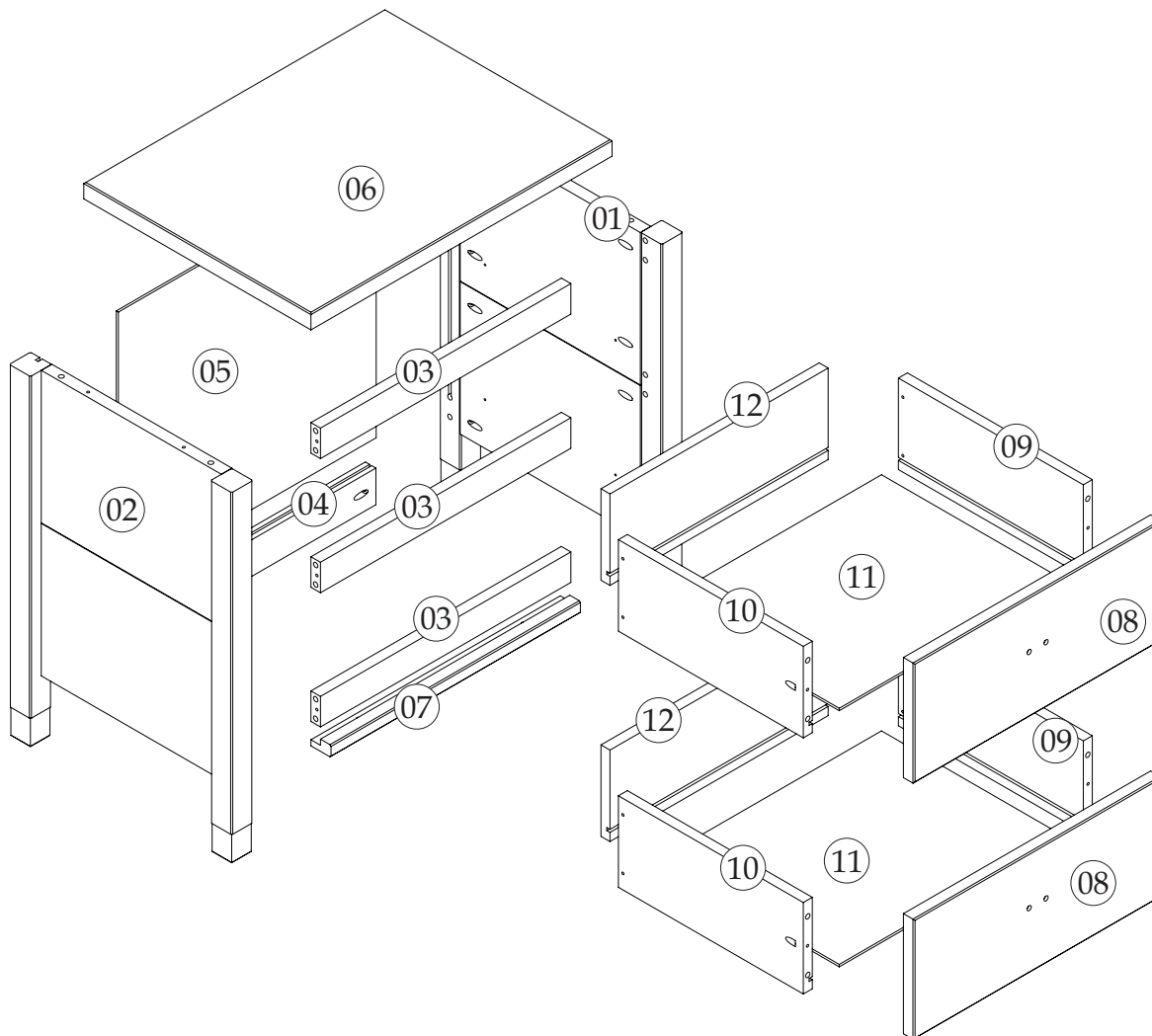



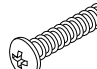


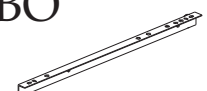
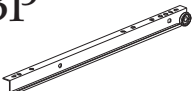
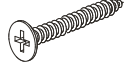
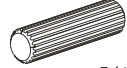

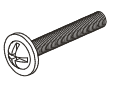
ATTENTION

- 1 - Read and observe carefully all the assembly instructions before beginning assembly.
- 2 - The assembly of the product must be done on a clean and flat surface. We suggest to use the packaging to cover the floor to avoid damages.
- 3 - The screws must be tightened periodically.
- 4 - Avoid contact with sharp objects.
- 5 - Avoid banging pieces together.

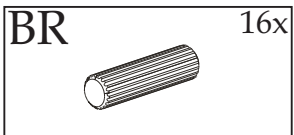
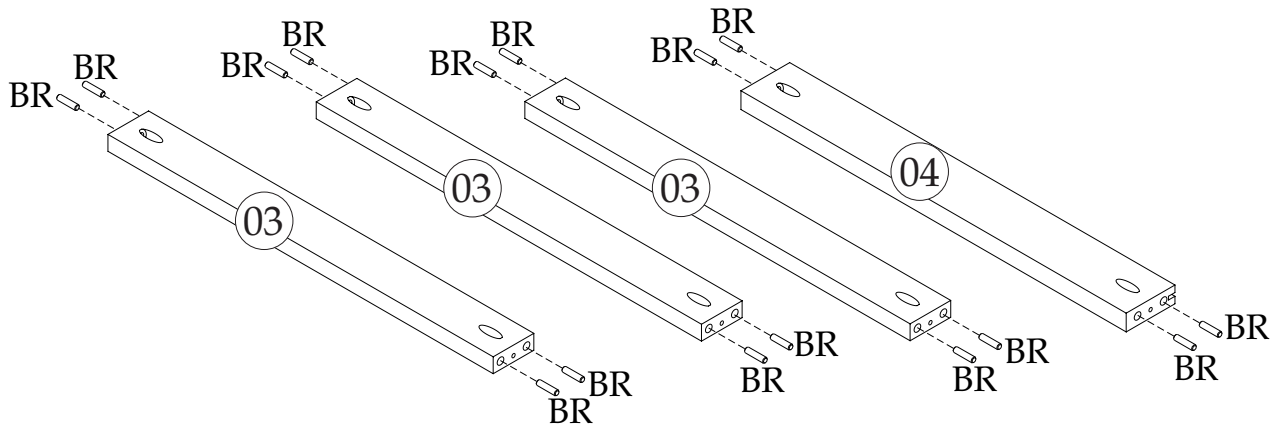


Parts and hardware list for assembly.
Please confirm all parts available before assembly.

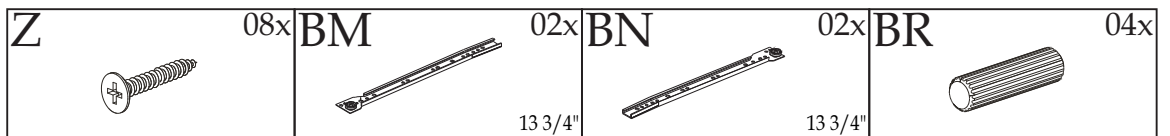
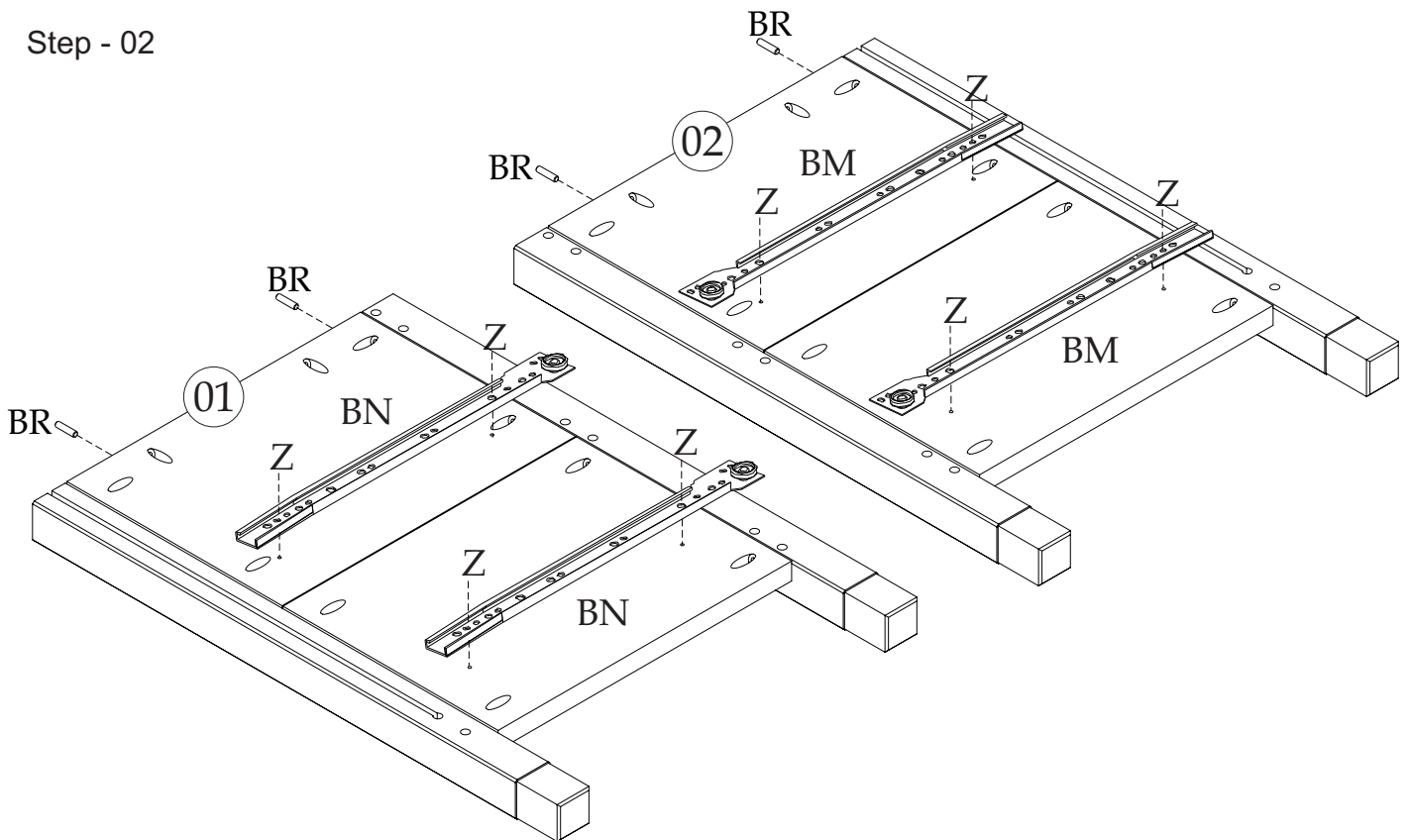


Z +2x spare 16x  ø1/8" x 5/8"	AP +2x spare 24x  ø1/8" x 1 3/8"	BM 02x  13 3/4"	BN 02x  13 3/4"
BO 02x  13 3/4"	BP 02x  13 3/4"	BQ 02x  ø1/8" x 1"	BR +2x spare 28x  ø5/16" x 1 1/4"
BS 02x  ø1/4" x 5"	BT 04x  M4 x 1"		

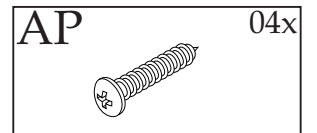
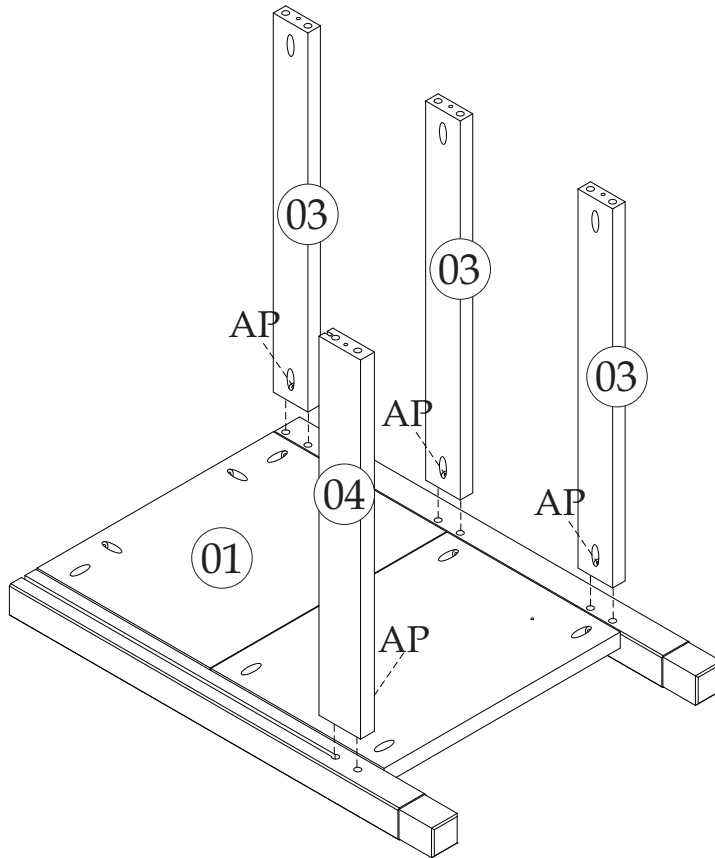
Step - 01



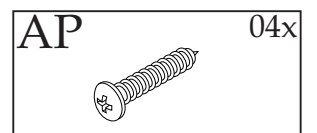
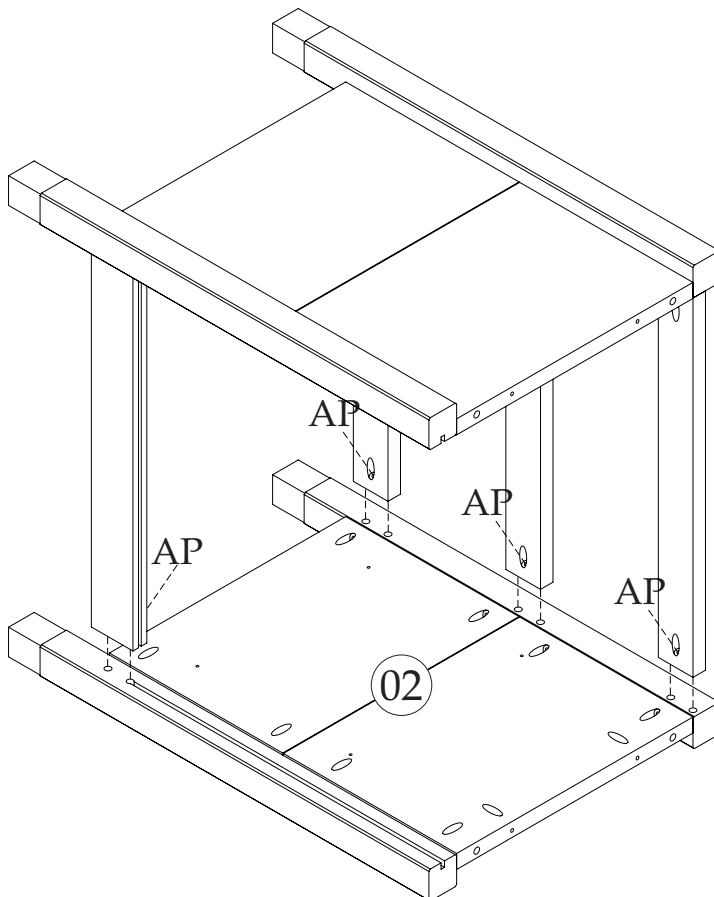
Step - 02



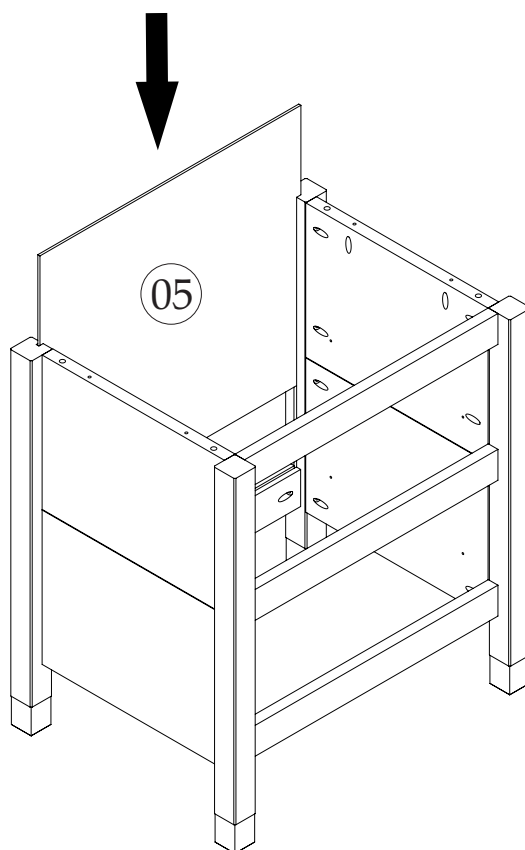
Step - 03



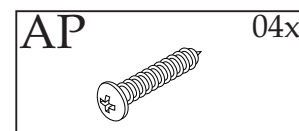
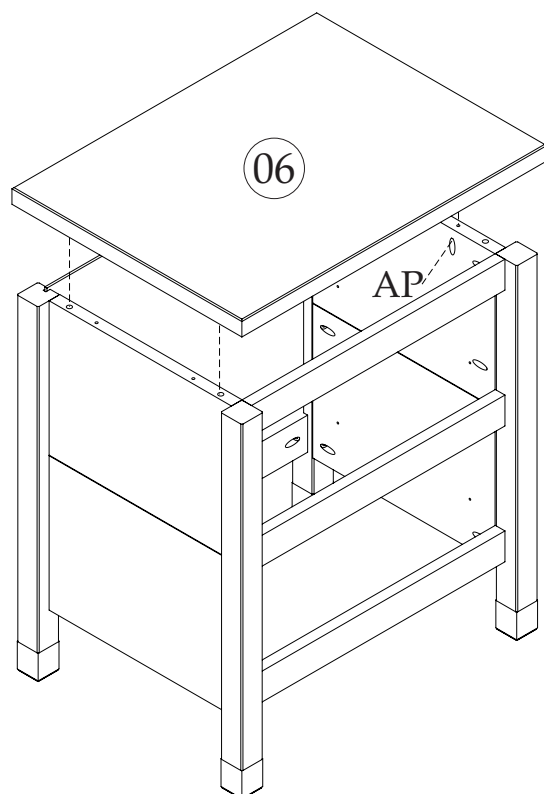
Step - 04



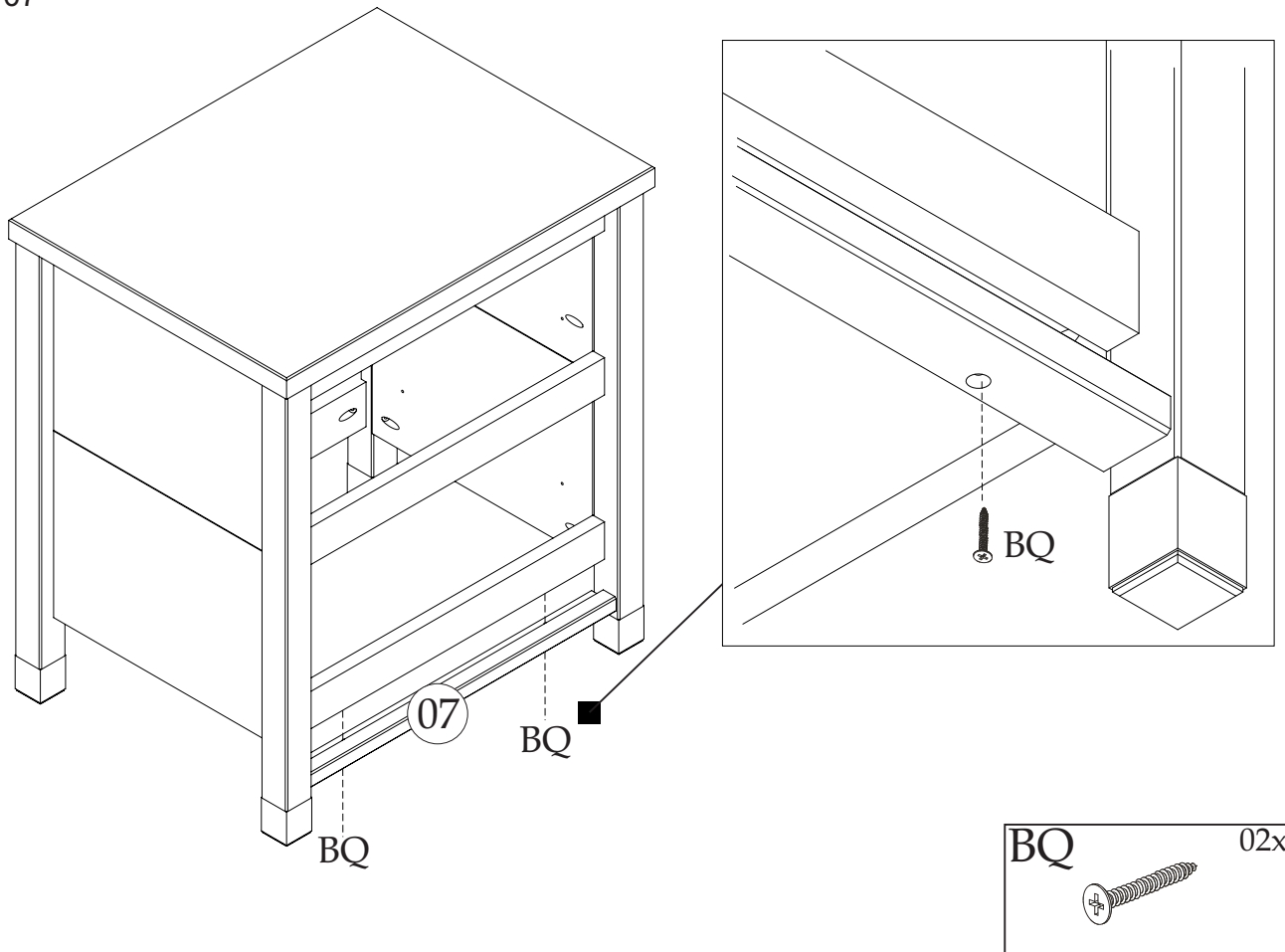
Step - 05



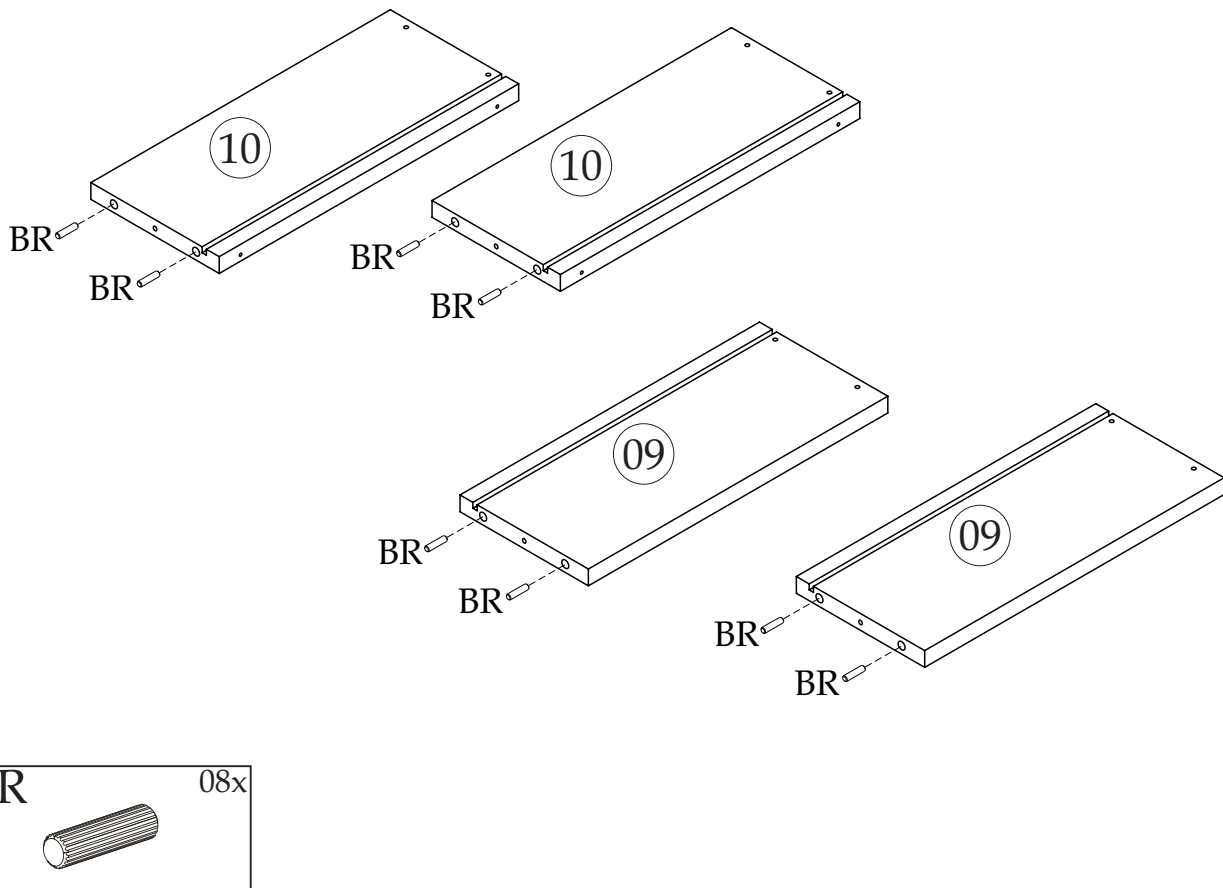
Step - 06



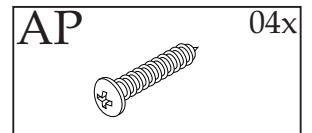
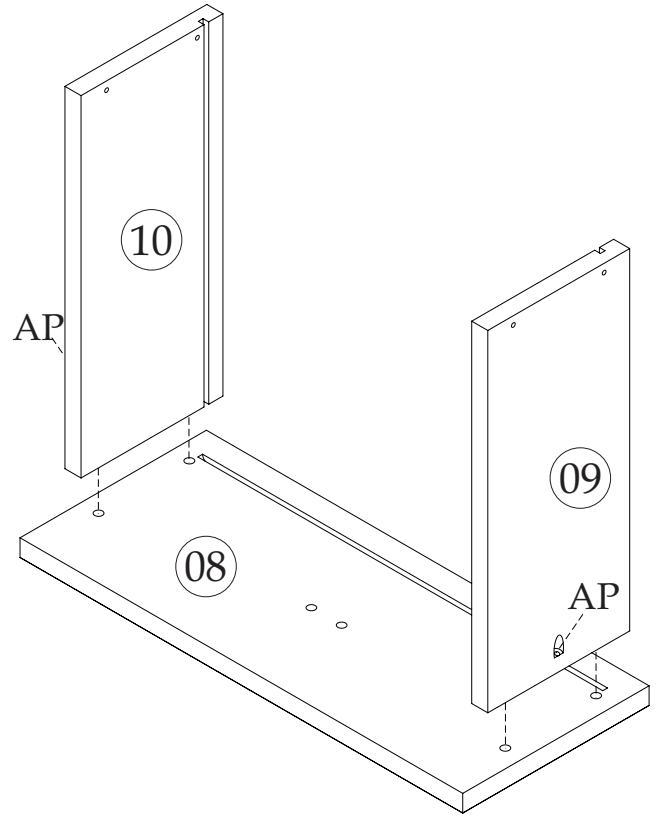
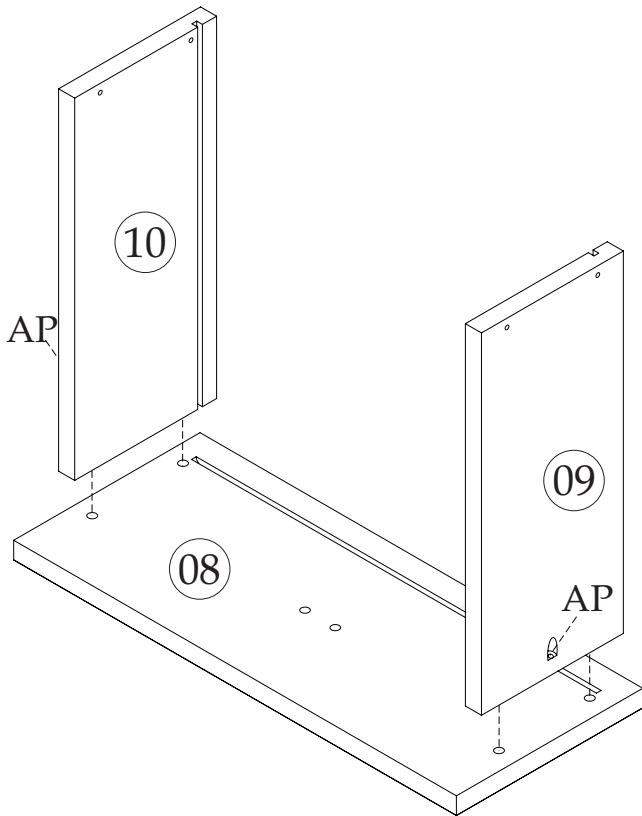
Step - 07



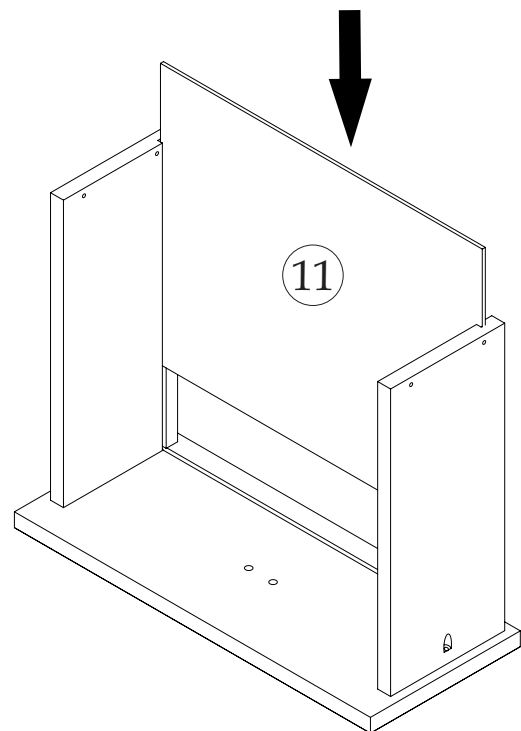
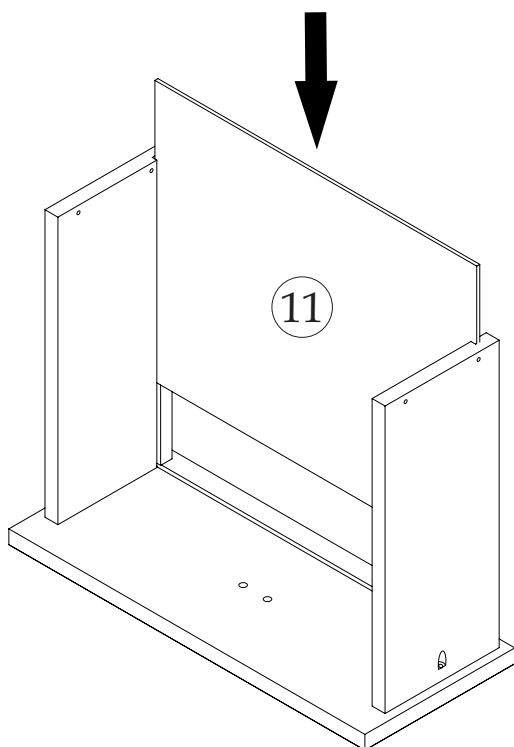
Step - 08



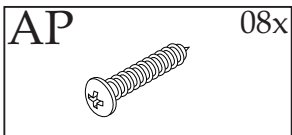
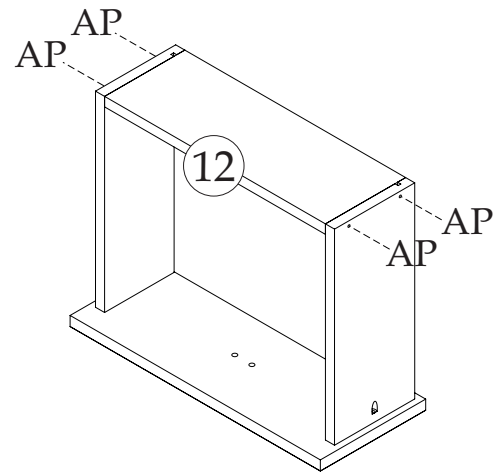
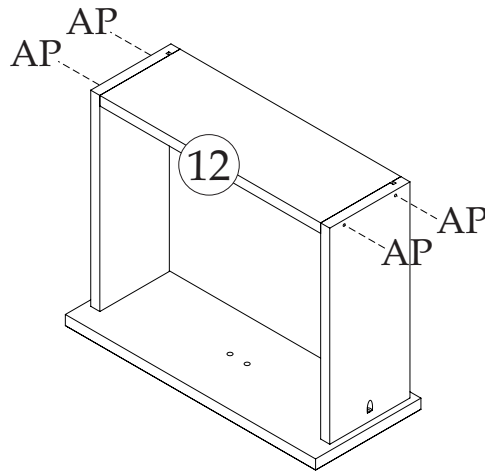
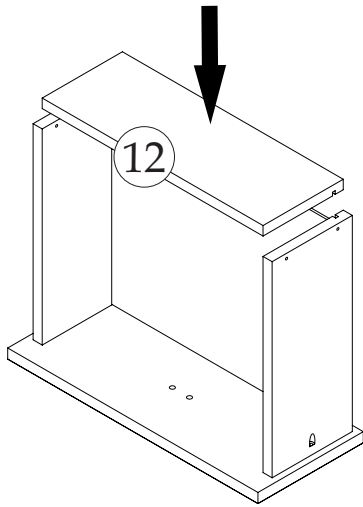
Step - 09



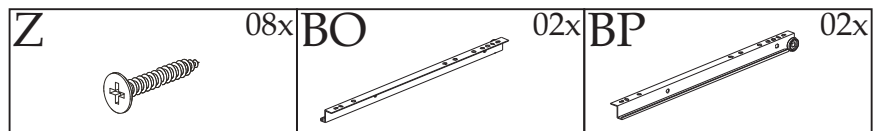
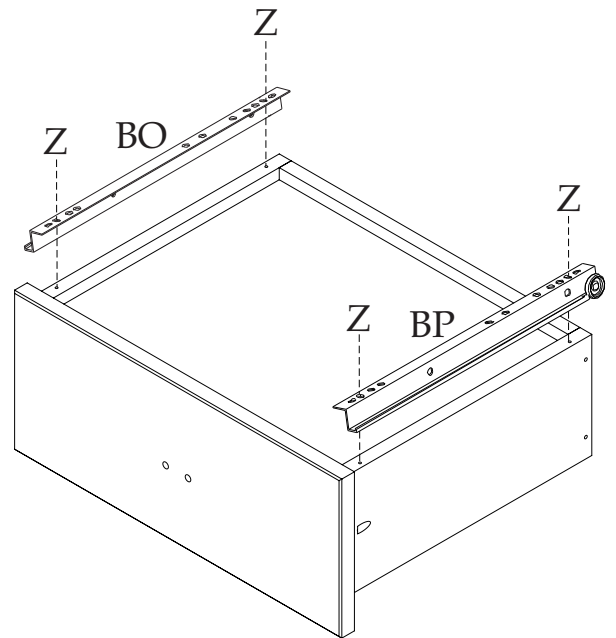
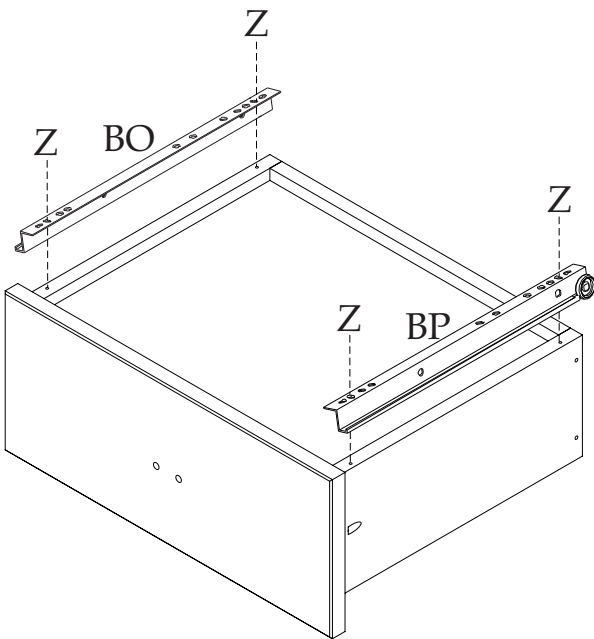
Step - 10



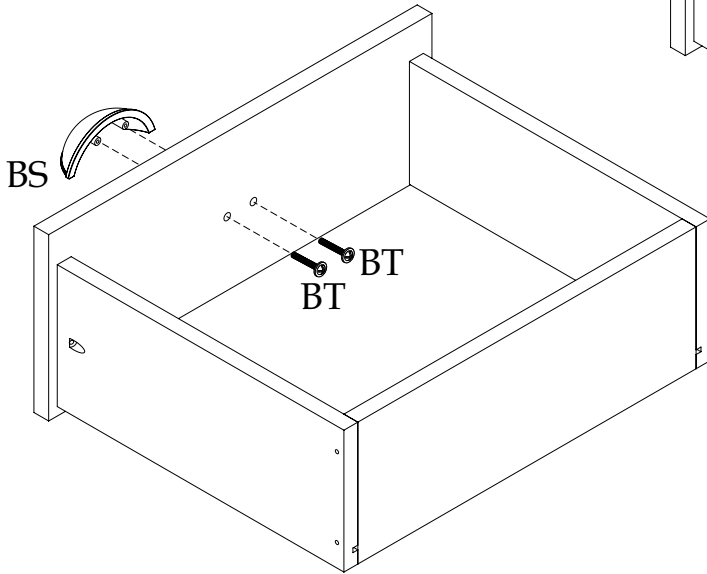
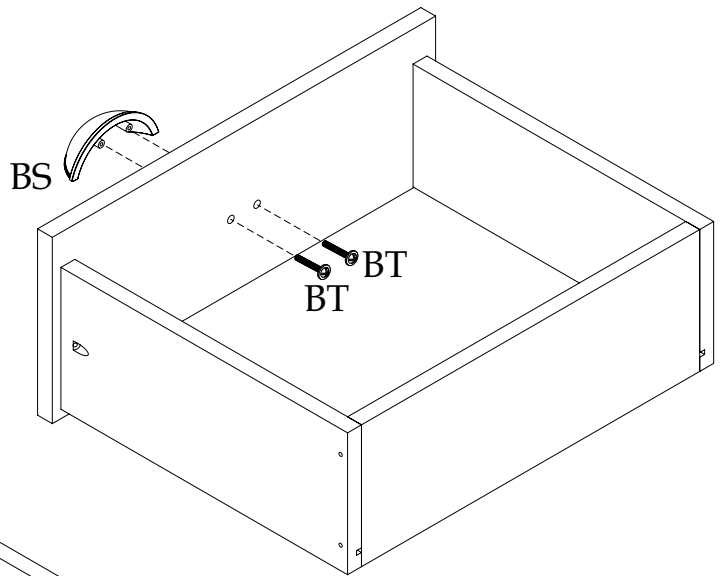
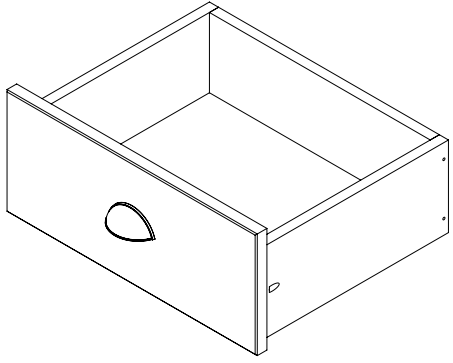
Step - 11



Step - 12



Step - 13



Step - 14

