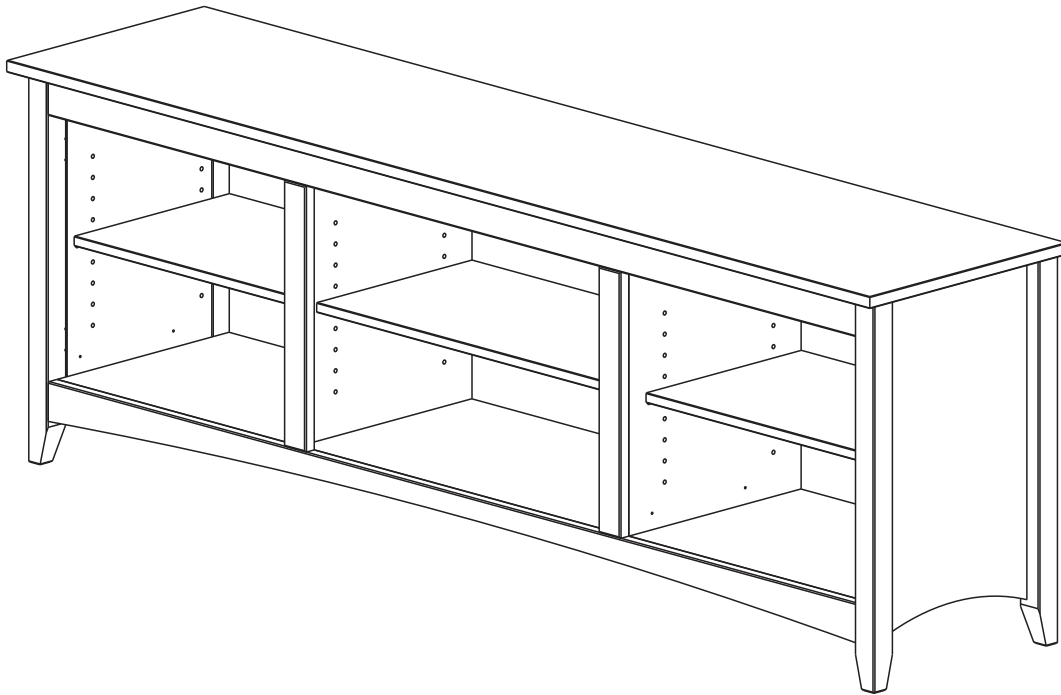
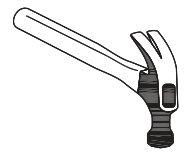
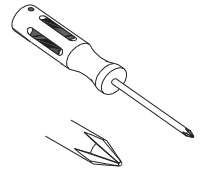
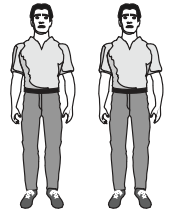


# ASSEMBLY INSTRUCTIONS



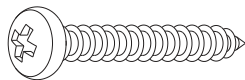
00:45 Hs



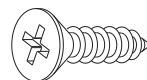
## HARDWARE INCLUDED



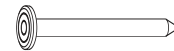
**A - 8,0x25 Wood Dowel**  
Qty. 32



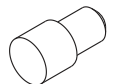
**B - 4,0x30 Screw**  
Qty. 18



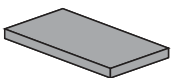
**C - 3,5x14 Screw**  
Qty. 04



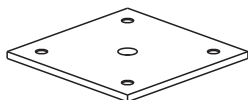
**D - 10x10 Nail**  
Qty. 36



**E - Shelf Support**  
Qty. 12



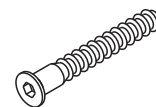
**F - Sticker ribbon**  
Qty. 04



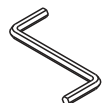
**G - Foot Support**  
Qty. 01



**H - 4,0x40 Screw**  
Qty. 04

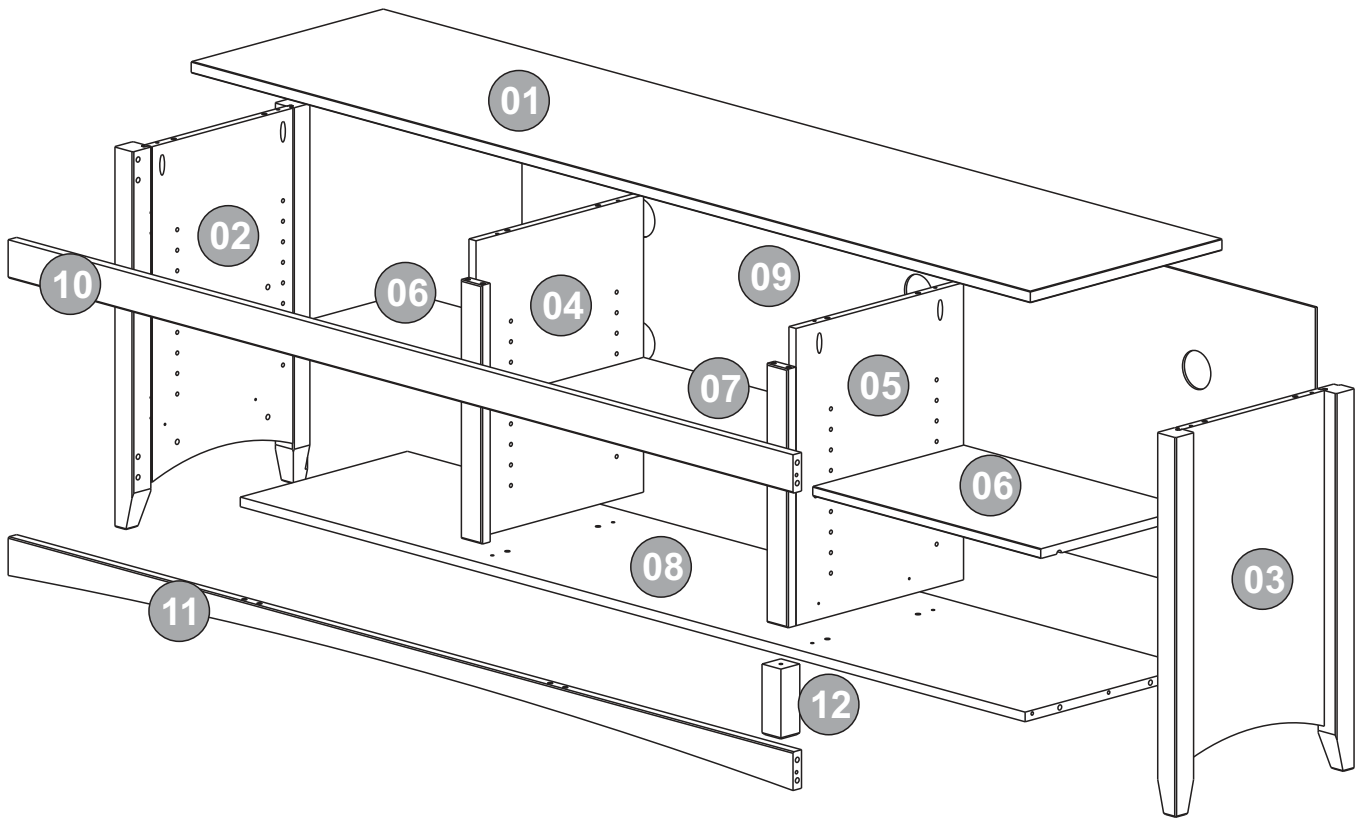


**I - 7,0x50 Screw**  
Qty. 01

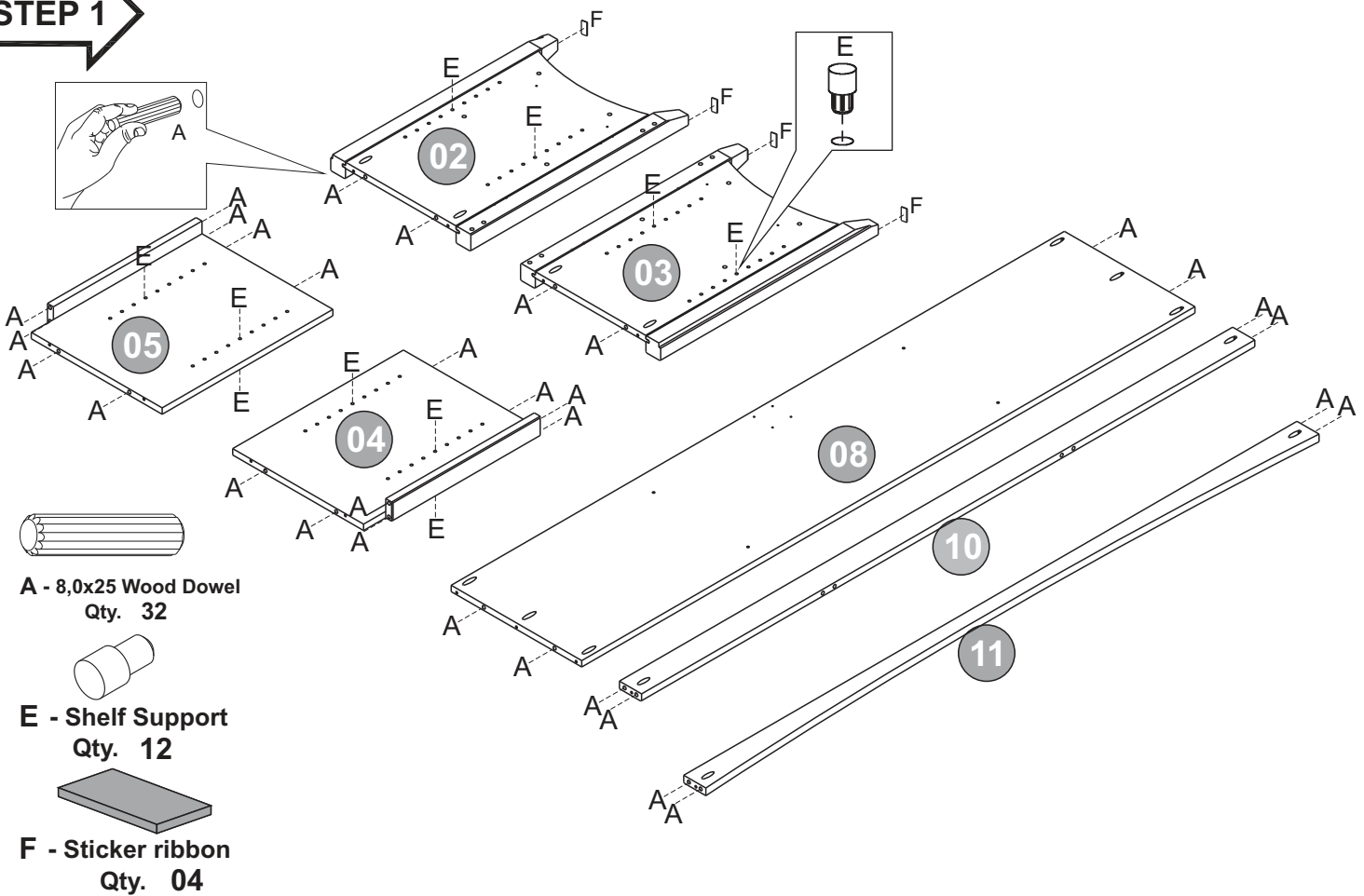


**J - Z Key**  
Qty. 01

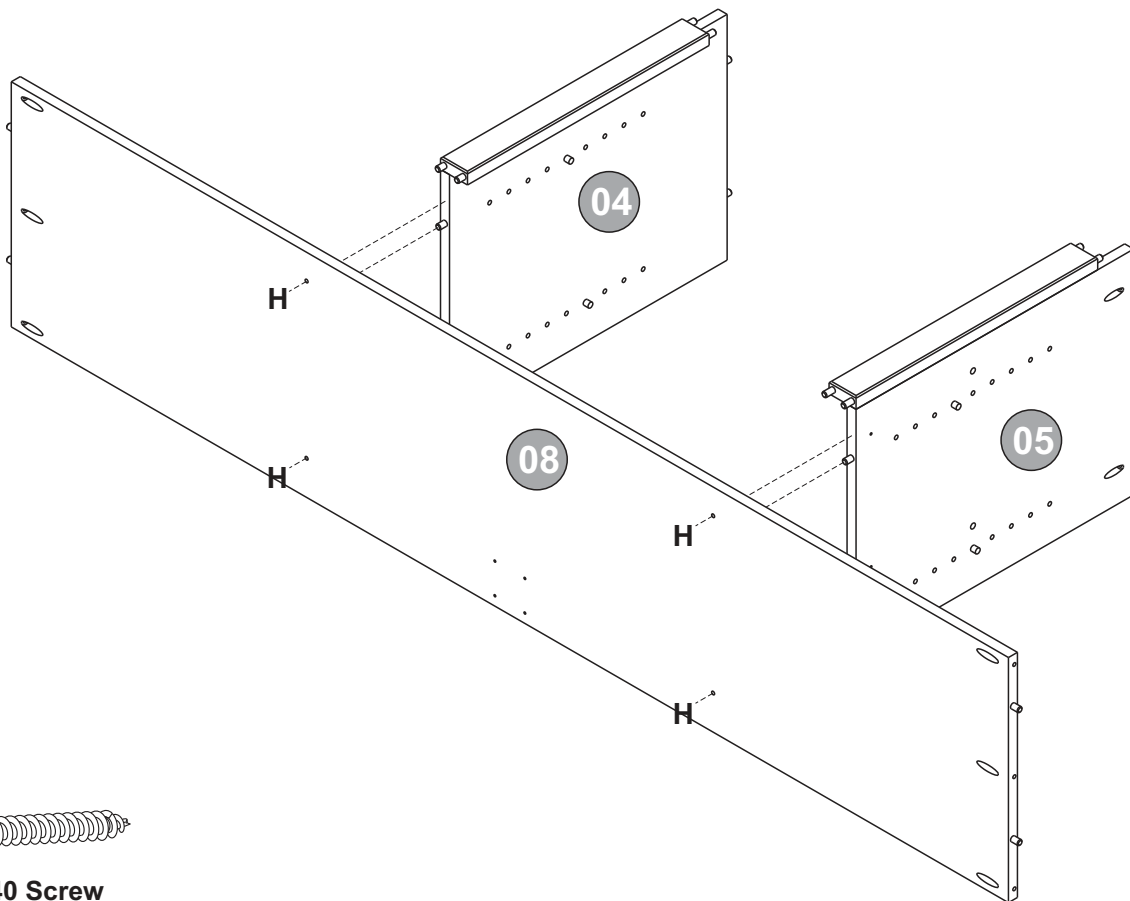
# PARTS INCLUDED



## STEP 1

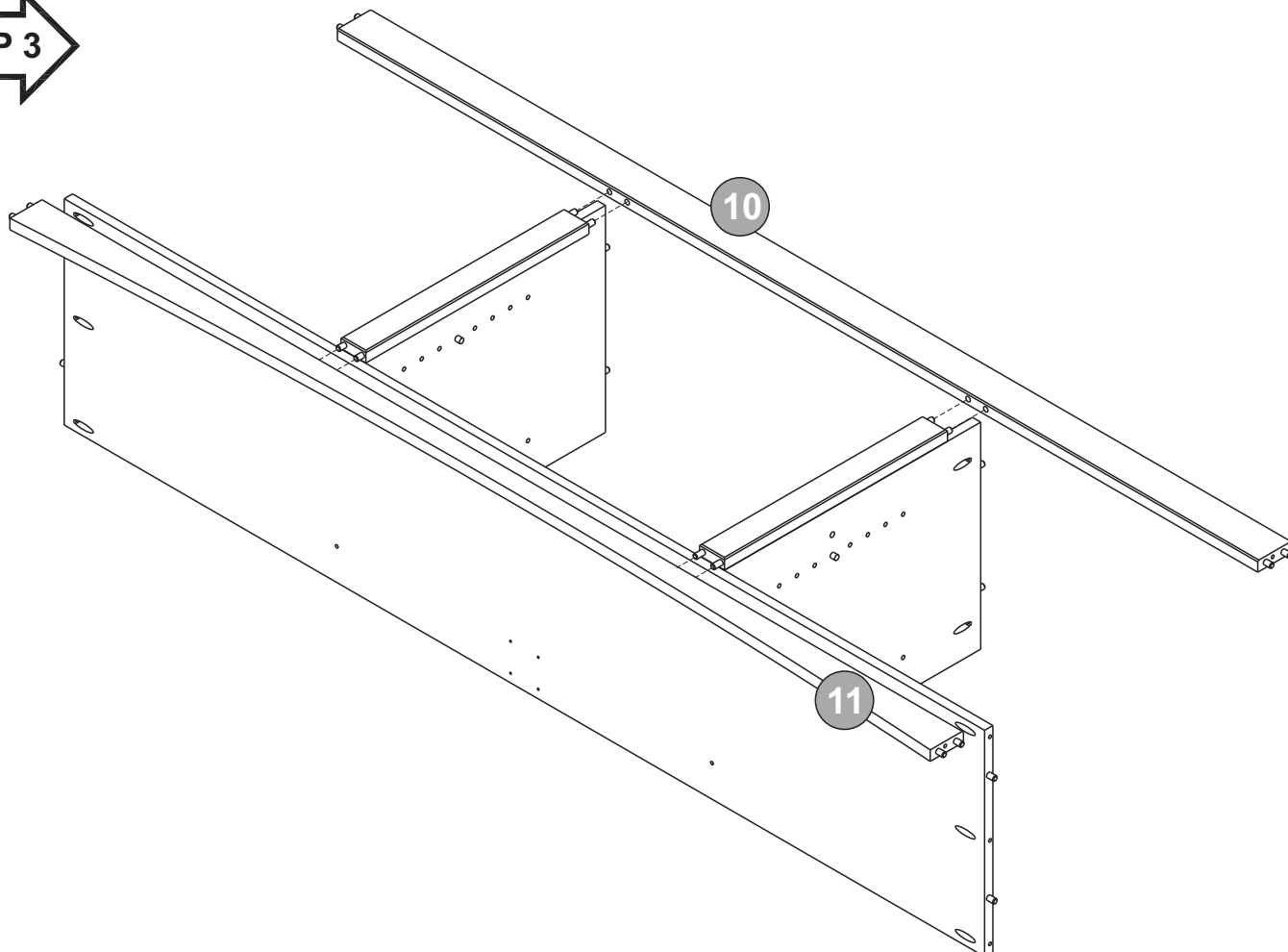


**STEP 2**

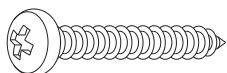
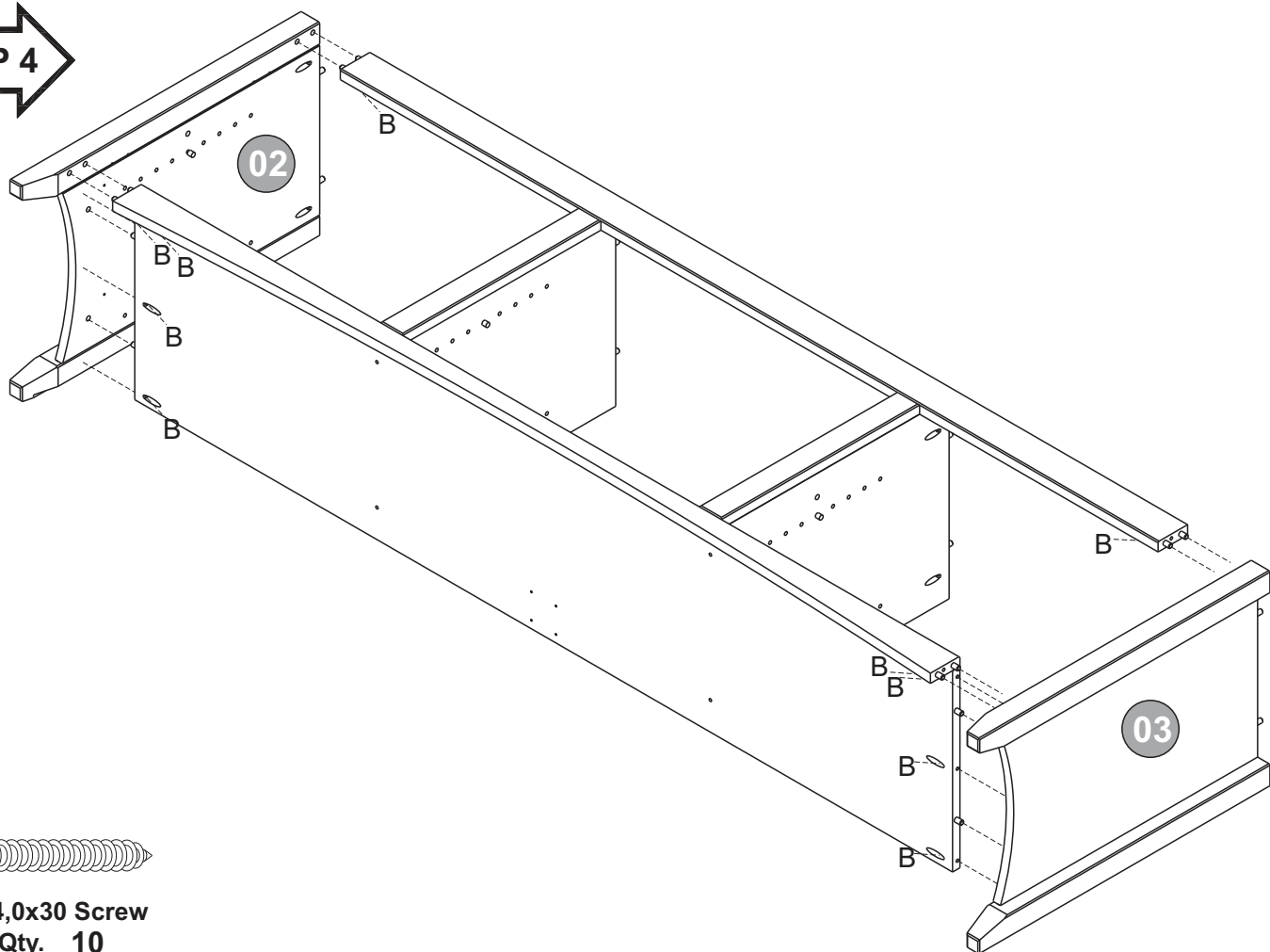


H - 4,0x40 Screw  
Qty. 04

**STEP 3**

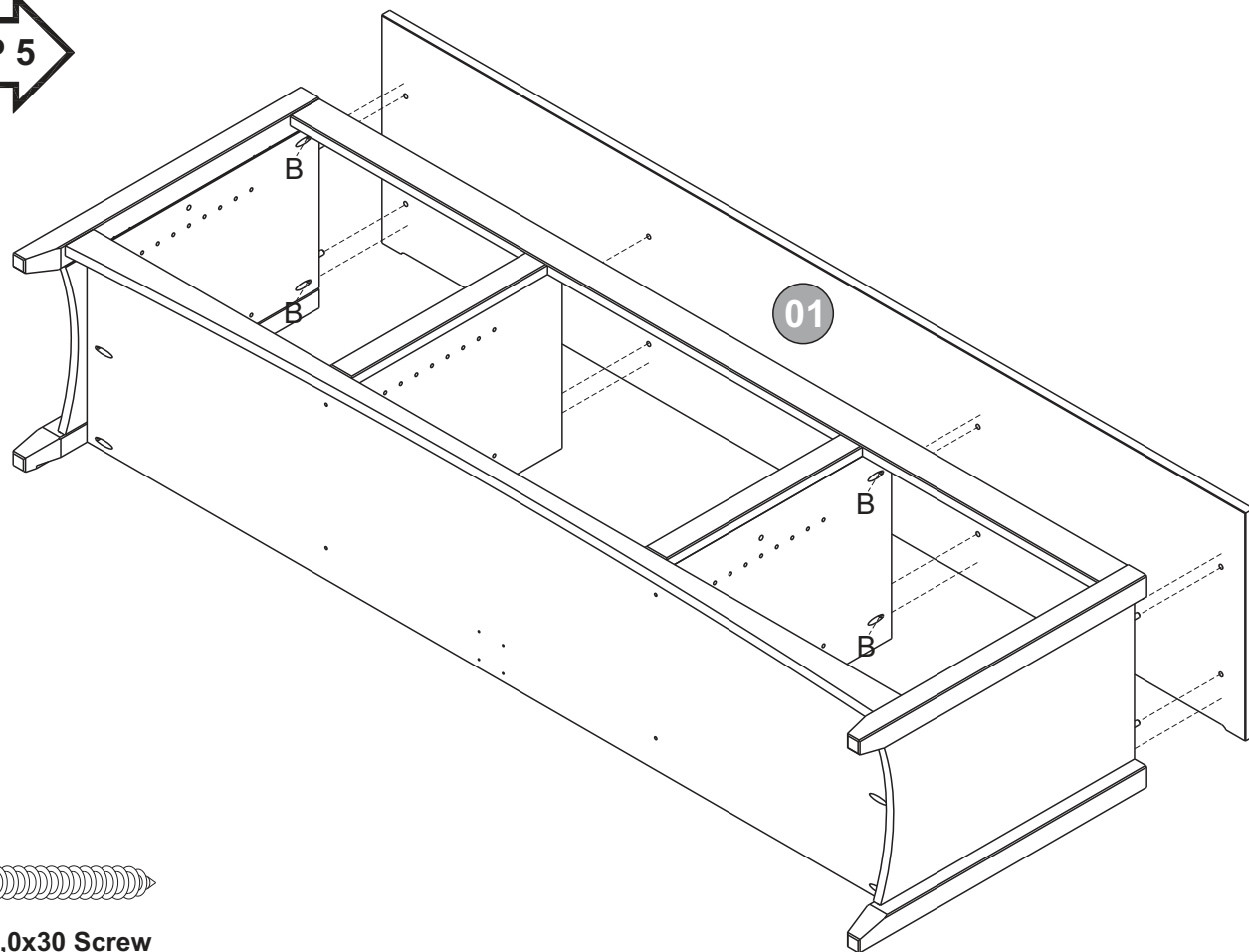


**STEP 4**



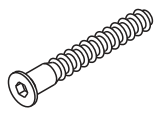
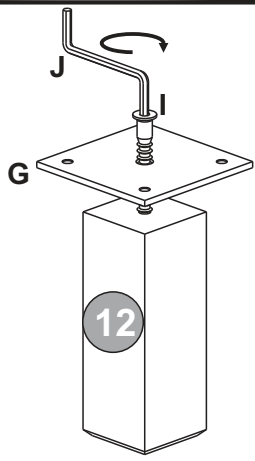
**B - 4,0x30 Screw**  
**Qty. 10**

**STEP 5**

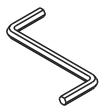


**B - 4,0x30 Screw**  
**Qty. 08**

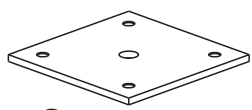
**STEP 6**



**I - 7,0x50 Screw**  
Qty. 01

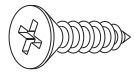
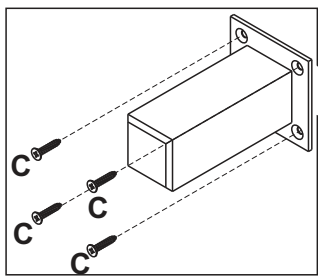
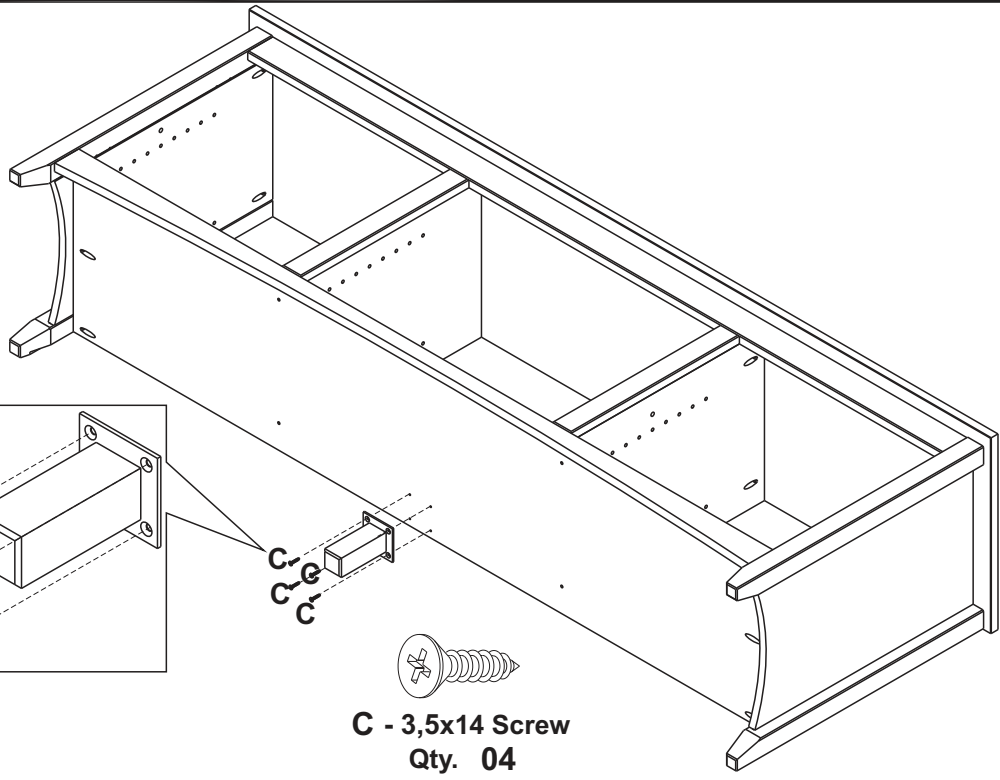


**J - Z Key**  
Qty. 01



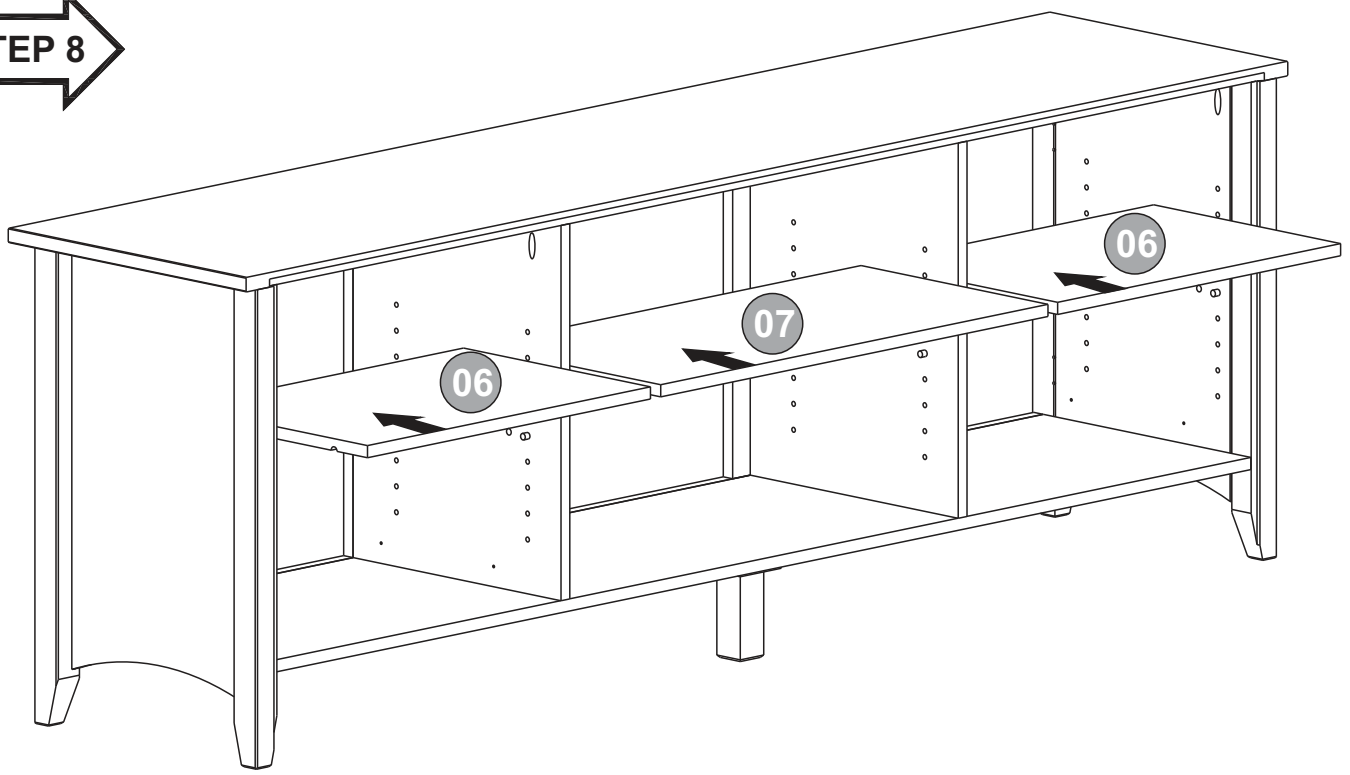
**G - Foot Support**  
Qty. 01

**STEP 7**

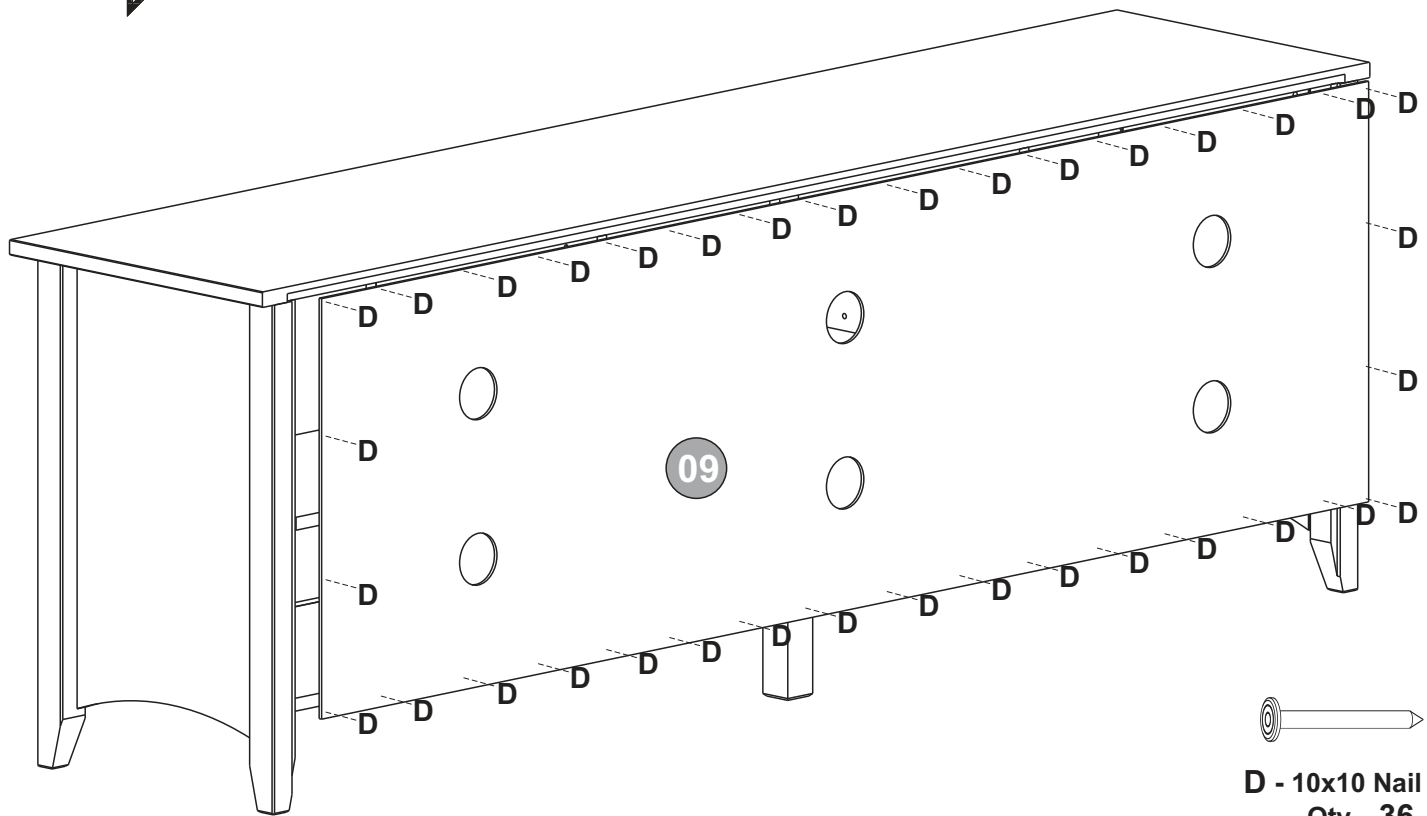


**C - 3,5x14 Screw**  
Qty. 04

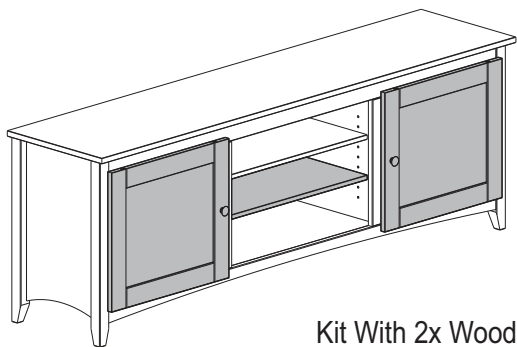
**STEP 8**



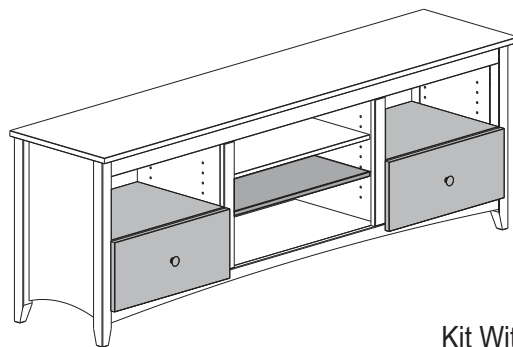
**STEP 9**



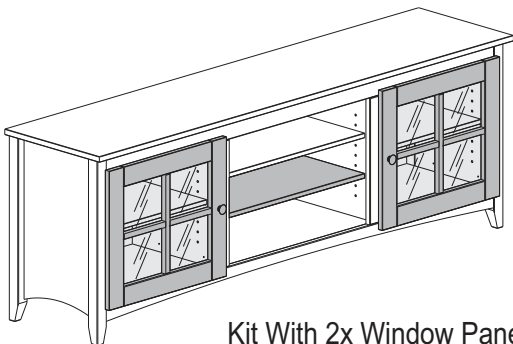
## Kits Options



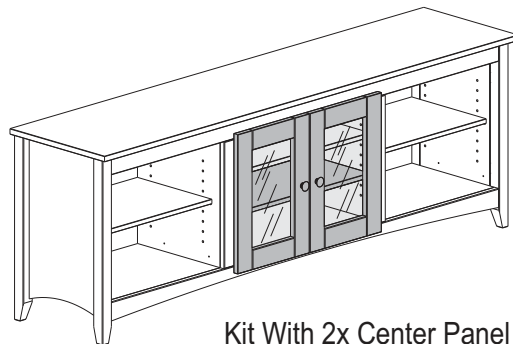
Kit With 2x Wood Panel Doors



Kit With 2x Drawers



Kit With 2x Window Panel Glass Doors



Kit With 2x Center Panel Glass Doors