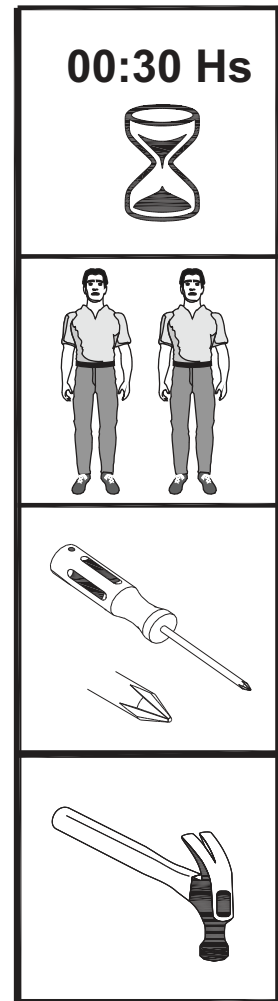
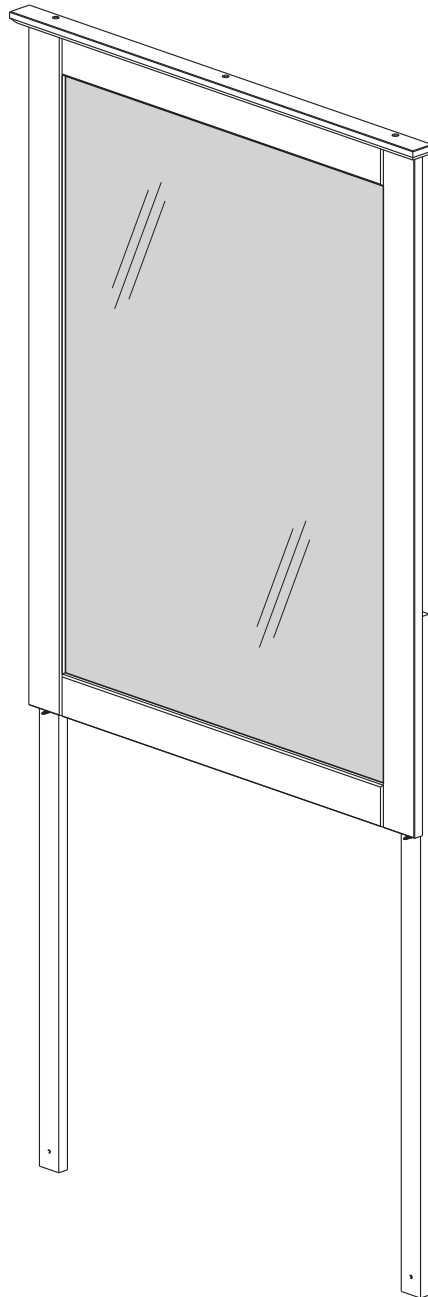
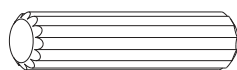
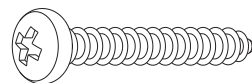

ASSEMBLY INSTRUCTIONS



HARDWARE INCLUDED

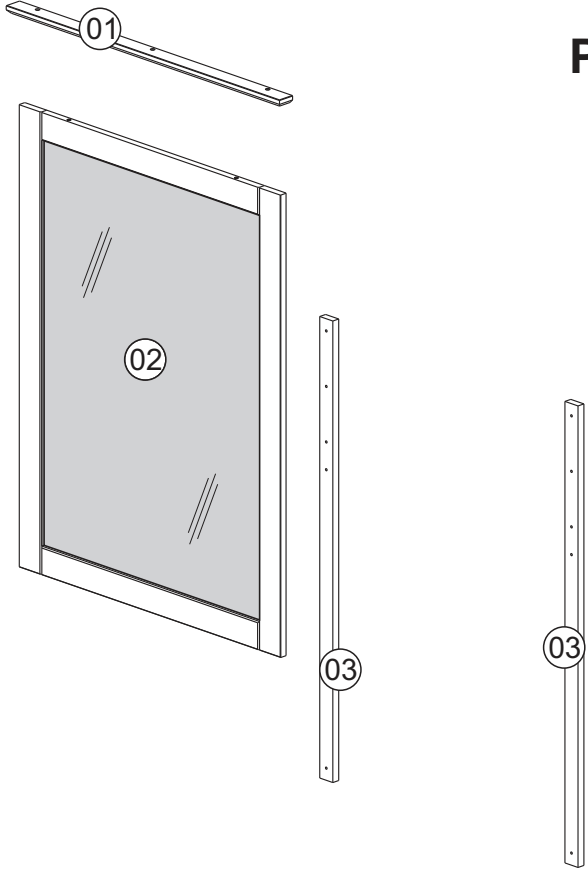


A - 8,0x30 Wood Dowel
Qty. 02

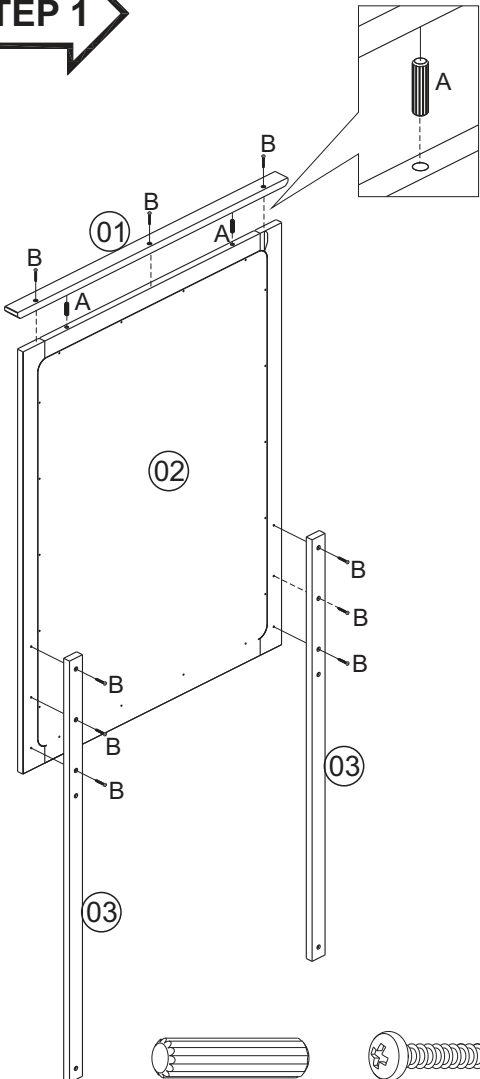


B - 4,0x30 Screw
Qty. 13

PARTS INCLUDED

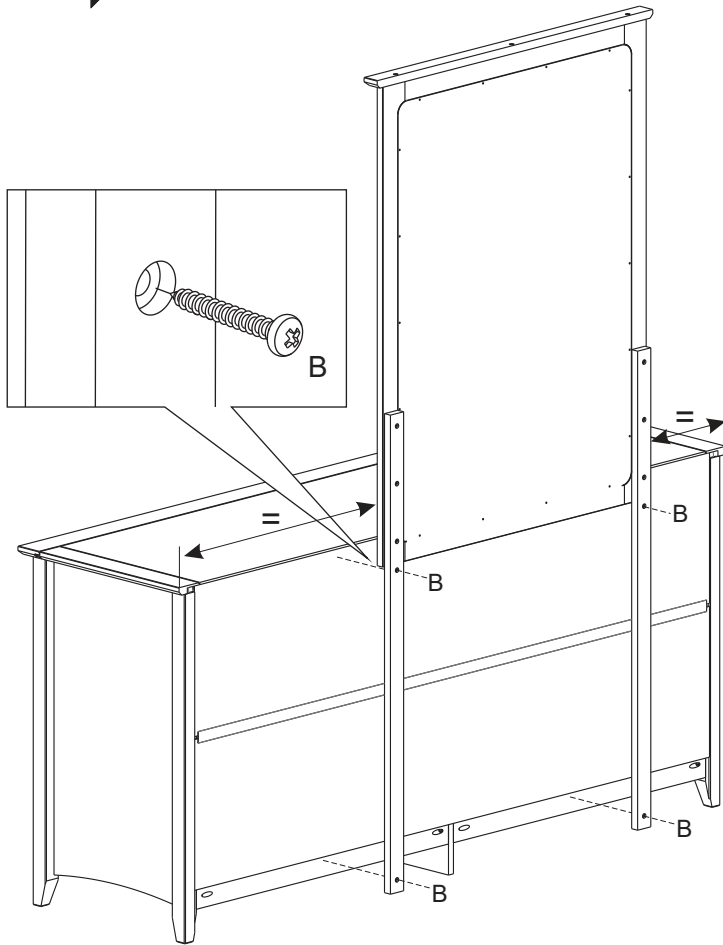


STEP 1



A - 8,0x25 Wood Dowel Qty. 02
B - 4,0x30 Screw Qty. 09

STEP 2



B - 4,0x30 Screw Qty. 04